



COLOR MONITOR

SyncMaster 170MP
(ML17NS / ML17AS)

SERVICE *Manual*

COLOR MONITOR



CONTENTS

1. Precautions
2. Product Specifications
3. Disassembly & Reassembly
4. Alignment & Adjustments
5. Troubleshooting
6. Exploded View & Parts List
7. Electrical Parts List
8. Block Diagram
9. Wiring Diagram
10. Schematic Diagrams

2 Product Specifications

2-1 Specifications

Item	Description		
LCD Panel	TFT-LCD panel, RGB vertical stripe, normally white, 17-Inch viewable, 0.264 (H) x 0.264 (V) pixel pitch		
Scanning Frequency	Horizontal	:	30 kHz to 70 kHz (Automatic)
	Vertical	:	56 Hz to 85 Hz (Automatic)
Display Colors	16,7 Million colors		
Maximum Resolution	Horizontal	:	1280 Pixels
	Vertical	:	1024 Pixels
Input Video Signal	Analog, 0.7 Vp-p \pm 5% positive at 75 Ω , internally terminated		
Input Sync Signal	Type:	Seperate H/V Sync-on-Green, automatic synchronization without external switch of sync type	
	Level:	TTL level	
Maximum Pixel Clock rate	135 MHz		
Active Display Horizontal/Vertical	338.1 mm / 270.1 mm		
AC power voltage & Frequency	AC 110 to 240 Volts, 60/ 50 Hz \pm 3 Hz		
Power Consumption	52 W (max), 43 W (normal)		
Dimensions Unit (W x D x H) Carton (W x D x H)	17.3 x 8.7 x 18.1 Inches (440 x 220 x 458.5 mm) 22.4 x 22.8 x 12.4 Inches (570 x 580 x 315 mm)		
Weight (Net/Gross)	2.5 kg		
Environmental Considerations	Operating Temperature : 50 °F to 104 °F (10 °C to 40 °C) Humidity : 10 % to 80 % Storage Temperature : -13 °F to 113 °F (-25 °C to 45 °C) Humidity : 5 % to 95 %		
TV System		ML17NS	
	Tunning Color Sound	Frequency Synthesize NTSC BTSC.A2 STEREO.FM-FM	ML17AS Frequency Synthesize PAL NICAM.A2 STEREO
Antena Input	75 Ω Coaxial Cable		
Sound Characteristic	<ul style="list-style-type: none"> – MAX Internal speaker Out::Right => 1W Left => 1W – BASS Control Range: -12dB~ + 12dB – TREBLE Control Range: -12dB~ + 12dB – Line Out: -7dBm (Fixed) – Headphone Out: RF => 5mW max (400m Vrms) A/V => 10mW max (580 Vrms), Max Input sound: -9dBm – Output Frequency (TBD): RF => 80 Hz ~ 15 kHz A/V => 80 Hz ~ 20 kHz 		

- SyncMaster 170MP comply with SWEDAC (MPR II) recommendations for reduced electromagnetic fields.
- Designs and specifications are subject to change without prior notice.

2-2 Pin Assignments

Pin No.	Sync Type	15-Pin Signal Cable Connector		
		Separate	Composite	Sync-on-green
1		Red	Red	Red
2		Green	Green	Green + H/V Sync
3		Blue	Blue	Blue
4		GND	GND	GND
5		GND (DDC Return)	GND (DDC Return)	GND (DDC Return)
6		GND-Red	GND-Red	GND-Red
7		GND-Green	GND-Green	GND-Green
8		GND-Blue	GND-Blue	GND-Blue
9		No Connection	No Connection	Not Used
10		GND-Sync/Self Test	GND-Sync/Self Test	GND-Sync/Self Test
11		GND	GND	GND
12		DDC Data	DDC Data	DDC Data
13		Horizontal sync	H/V-Sync	Not Used
14		Vertical sync	Not Used	Not Used
15		DDC Clock	DDC Clock	DDC Clock

2-3 Timing Chart

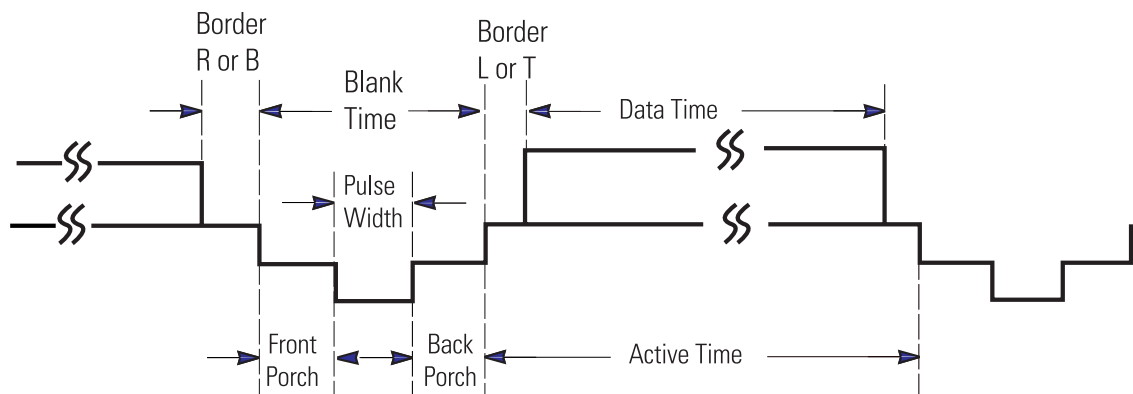
This section of the service manual describes the timing that the computer industry recognizes as standard for computer-generated video signals.

Table 2-1. Timing Chart

Timing No. Originator Mode Name Resolution (HxV)	2 IBM VGA2 720x400	3 IBM VGA3 640x480	17 VESA 640/75Hz 640x480	42 VESA 640/85Hz 640x480	18 VESA 800/75Hz 800x600
HORIZONTAL					
Frequency	31.469kHz	31.469kHz	37.500kHz	43.269kHz	46.875kHz
Total time	31.777μs	31.778μs	26.667μs	23.111μs	21.333μs
Active time	26.058μs	26.058μs	20.317μs	17.778μs	16.162μs
Blank time	5.720μs	5.720μs	6.350μs	5.333μs	5.171μs
Border (L / R)	0.318μs	0.318μs	0.000μs	0.000μs	0.000μs
Data time	25.422μs	25.422μs	20.317μs	17.778μs	16.162μs
Front porch	0.318μs	0.318μs	0.508μs	1.556μs	0.323μs
Sync. width	3.813μs	3.813μs	2.032μs	1.556μs	1.616μs
Back porch	1.589μs	1.589μs	3.810μs	2.222μs	3.232μs
Sync. polarity	Negative	Negative	Negative	Negative	Positive
VERTICAL					
Frequency	70.087Hz	59.940Hz	75.000Hz	85.008Hz	75.000Hz
Total time	14.268ms	16.683ms	13.333ms	11.764ms	13.333ms
Active time	13.155ms	15.761ms	12.800ms	11.093ms	12.800ms
Blank time	1.113ms	0.922ms	0.533ms	0.671ms	0.533ms
Border (T / B)	0.222ms	0.254ms	0.000ms	0.000ms	0.000ms
Data time	12.711ms	15.253ms	12.800ms	11.093ms	12.800ms
Front porch	0.191ms	0.064ms	0.027ms	0.023ms	0.021ms
Sync. width	0.064ms	0.064ms	0.080ms	0.069ms	0.064ms
Back porch	0.858ms	0.794ms	0.427ms	0.578ms	0.448ms
Sync. polarity	Positive	Negative	Negative	Negative	Positive
Dot Clock	28.322MHz	25.175MHz	31.500MHz	36.000MHz	49.500MHz
Sync. Type	Separate	Separate	Separate	Separate	Separate
Scan Type	N/I	N/I	N/I	N/I	N/I

Table 2-1. Timing Chart (Continued)

Timing No.	43	15	19	44	20	20
Originator	VESA	VESA	VESA	VESA	VESA	VESA
Mode Name	800/85Hz	1024/60Hz	1024/75Hz	1024/85Hz	1280/75Hz	1280/60Hz
Resolution (HxV)	800x600	1024x768	1024x768	1024x768	1280x1024	1280x1024
HORIZONTAL						
Frequency	53.674kHz	48.363kHz	60.023kHz	68.677kHz	79.976kHz	63.981kHz
Total time	18.631μs	20.677μs	16.660μs	14.561μs	12.504μs	11.852μs
Active time	14.222μs	15.754μs	13.003μs	10.836μs	9.481μs	9.259μs
Blank time	4.409μs	4.923μs	3.657μs	3.725μs	3.023μs	3.778μs
Border (L / R)	0.000μs	0.000μs	0.000μs	0.000μs	0.000μs	0.000μs
Data time	14.222μs	15.754μs	13.003μs	10.836μs	9.481μs	9.259μs
Front porch	0.569μs	0.369μs	0.203μs	0.508μs	0.119μs	0.444μs
Sync. width	1.138μs	2.092μs	1.219μs	1.016μs	1.067μs	1.037μs
Back porch	2.702μs	2.462μs	2.235μs	2.201μs	1.837μs	2.296μs
Sync. polarity	Positive	Negative	Positive	Positive	Positive	Positive
VERTICAL						
Frequency	85.061Hz	60.004Hz	75.029Hz	84.997Hz	75.025Hz	60.020Hz
Total time	11.756ms	16.666ms	13.328ms	11.765ms	13.329ms	16.005ms
Active time	11.179ms	15.880ms	12.795ms	11.183ms	12.804ms	15.630ms
Blank time	0.577ms	0.786ms	0.533ms	0.582ms	0.525ms	0.375ms
Border (T / B)	0.000ms	0.000ms	0.000ms	0.000ms	0.000ms	0.000ms
Data time	11.179ms	15.880ms	12.795ms	11.183ms	12.804ms	15.630ms
Front porch	0.019ms	0.062ms	0.017ms	0.015ms	0.013ms	0.016ms
Sync. width	0.056ms	0.124ms	0.050ms	0.044ms	0.038ms	0.047ms
Back porch	0.503ms	0.600ms	0.466ms	0.524ms	0.475ms	0.594ms
Sync. polarity	Positive	Negative	Positive	Positive	Positive	Positive
Dot Clock	56.250MHz	65.000MHz	78.750MHz	94.500MHz	135.00MHz	108.00MHz
Sync. Type	Separate	Separate	Separate	Separate	Separate	Separate
Scan Type	N/I	N/I	N/I	N/I	N/I	N/I



3 Disassembly and Reassembly

This section of the service manual describes the disassembly and reassembly procedures for the SyncMaster 170MP monitor.

WARNING: This monitor contains electrostatically sensitive devices. Use caution when handling these components.

3-1 Disassembly

- Cautions:**
1. Disconnect the monitor from the power source before disassembly.
 2. Follow these directions carefully; never use metal instruments to pry apart the cabinet.

3-1-1 Removing the Stand

1. Remove 4 screws in the hinge area.
2. Pry it off the back of the monitor.
3. Disconnect Power Cord and Signal Cable.

3-1-2 Main Body Disassembly

1. Remove the 4 screws on the four corner of the Rear Cover.
2. Remove Rear Cover from the Front Cover.
3. Remove 11 screws on the Shield and remove the shield.
4. Disconnect Inverter wire, Function PCB wire and Interface wire.
Remove 4 screws on the Main PCB and remove 2 screws on the D sub shield.
5. Remove the Main PCB Assembly.
6. Remove 6 screws on the Inverter PCB Assembly and then remove it
7. Remove 6 screws on the Rear Panel Bracket.
8. Remove the Bracket Assembly from the Front Cover.
9. Remove 3 screws on the Function PCB from locking area of Function knob and remove Function PCB.
10. Remove 4 screws on the Shield of Panel.
11. Remove the Shield.
12. Remove Rear Bracket from Panel.
13. Remove 2 screws between Panel Rear and Inverter PCB.
14. Remove the Interface wire on the Rear Side of Panel.

3-1-3 Standard Stand Disassembly

1. Remove 5 screws from the Stand Rear
2. Remove 4 screws from the Stand Bottom.

3. Remove Stand Front from the Stand assembly.
4. Remove 2 screws from the Stand assembly.
5. Remove the Stand Rear from the Stand assembly.
6. Remove 5 screws on the Vesa Brkt from the Stand assembly.
7. Remove cover hinge from the Stand assembly.
8. Remove Stand Base from the Stand assembly.

3-1-4 Pivot Multi-media Stand Disassembly (option)

1. Stand the stand assembly with the base close to you.
2. Remove the 4 screws on the back cover of the stand and remove it.
3. Stand the stand assembly upside down.
4. Remove the 4 screws.
5. Disconnect CN805, CN806, CN807, CN808, CN809, CN812 and F1.
6. Remove the Back Cover of the Stand Front assembly.
7. Remove 4 screws on the external adaptor and remove the adaptor.
8. Remove 2 screws between hinge and Stand Body.
9. Remove the hinge
10. Remove 2 screws on Audio main PCB and remove it
11. Remove 2 screws on the Audio Function PCB and remove it.

3-1-5 Angle Pivot Stand Disassembly (option)

1. Remove the cap pivot from the stand assembly.
2. Remove the 4 screws on the hinge assembly.
3. Remove the 4 screws on the Stand Rear

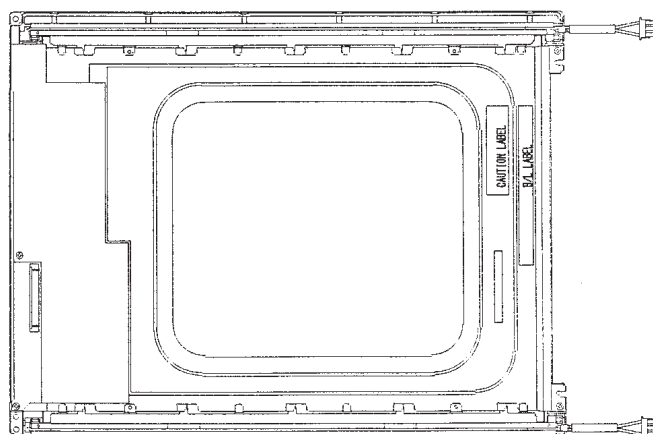
3 Disassembly and Reassembly

4. Remove the Stand Rear from the Stand assembly.
5. Remove the Stand Front from the Stand assembly.
6. Remove the Neck Rear from the Stand assembly.
7. Remove the 4 Rubbers on the four corner of the Stand Bottom and the 4 screws on the four corner of the Stand Bottom.
8. Remove the 5 stopper hinges from the Bracket Bottom.
9. Remove the Stand Base from the Stand Assembly.

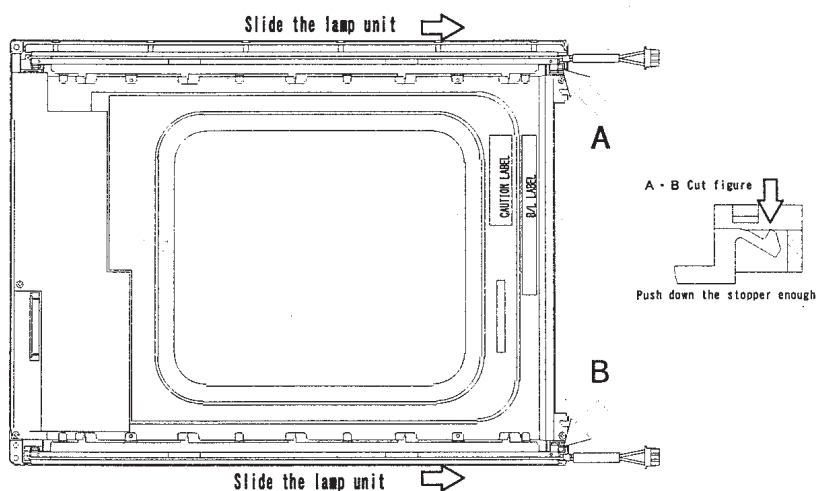
3-1-6 Wire frame stand Disassembly (option)

1. Carefully pull the cover hinge.
2. Remove the cover vesa from the Stand assembly.
3. Remove 4 screws on the assembly Bracket assembly.

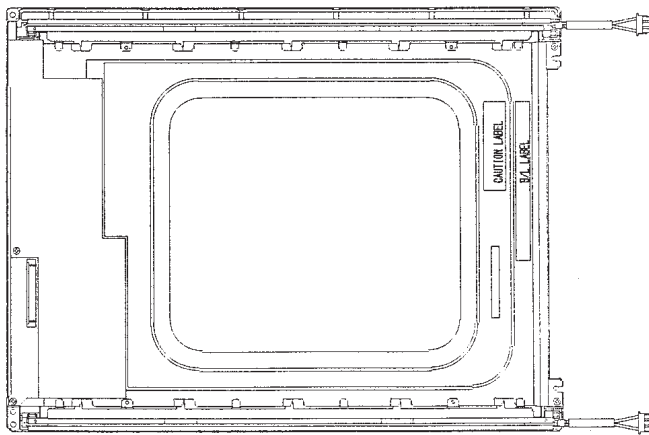
3-2 Replacement Order of Lamp Assemblies



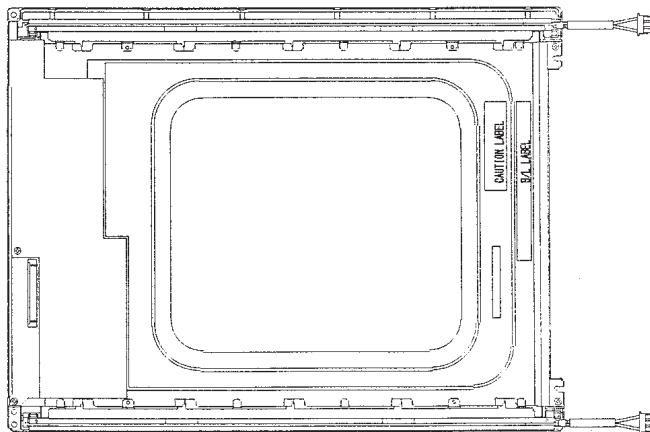
1. After confirm there is nothing on the desk
Turn the LCD module over and put it on a flat desk set to the ground.



2. Push down the stopper and slide the lamp unit.



3. Please take out the lamp units from the LCD module.



4. Please fix the new lamp units on the LCD module : opposite process 2 and 3

* Replacement of lamp unit should be done at the power off state and recommended clean bench condition.

3-3 Reassembly

Reassembly procedures are in the reverse order of Disassembly procedures.

Memo

4 Alignments and Adjustments

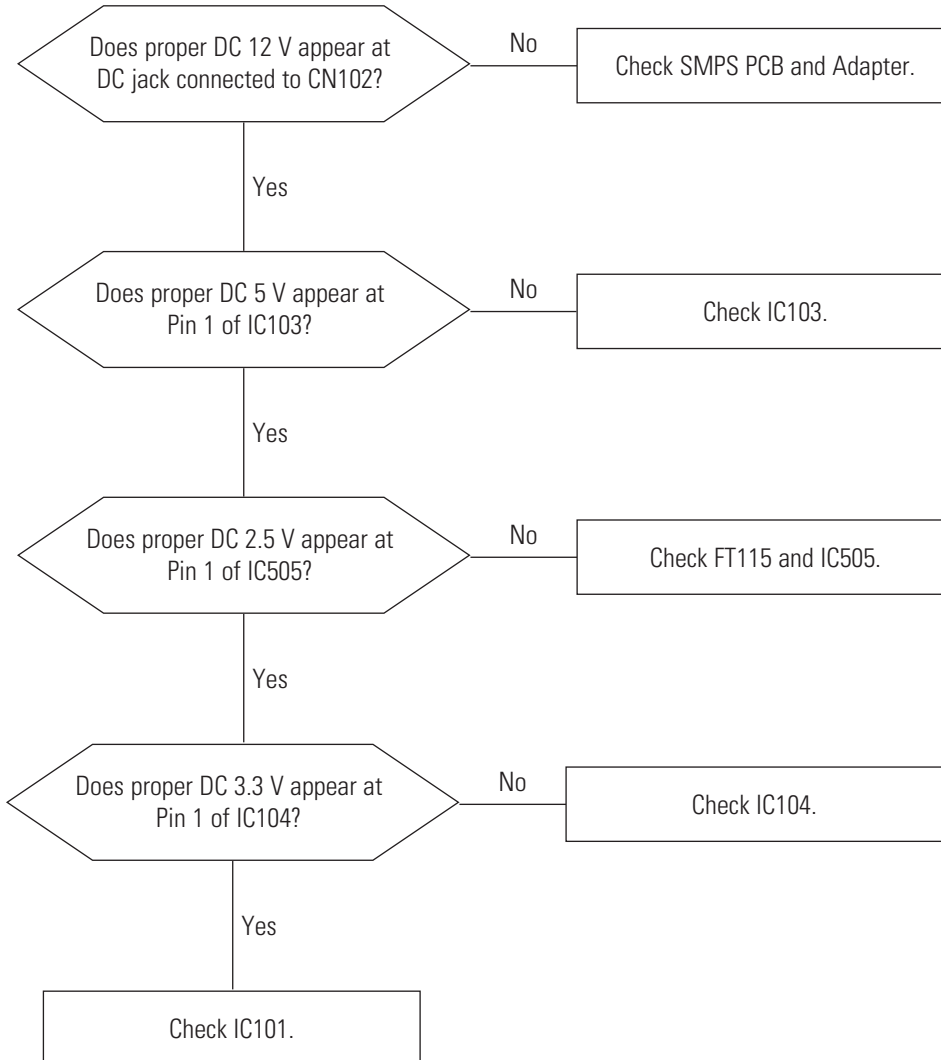
4-1. General Alignment Instruction

1. Usually, a color TV-VCR needs only slight touch-up adjustment upon installation. Check the basic characteristics such as height, horizontal and vertical sync.
2. Use the specified test equipment or its equivalent.
3. Correct impedance matching is essential.
4. Avoid overload. Excessive signal from a sweep generator might overload the front-end of the TV. When inserting signal markers, do not allow the marker generator to distort test result.
5. Connect the TV only to an AC power source with voltage and frequency as specified on the backcover nameplate.
6. Do not attempt to connect or disconnect any wire while the TV is turned on. Make sure that the power cord is disconnected before replacing any parts.
7. To protect against shock hazard, use an isolation transform.

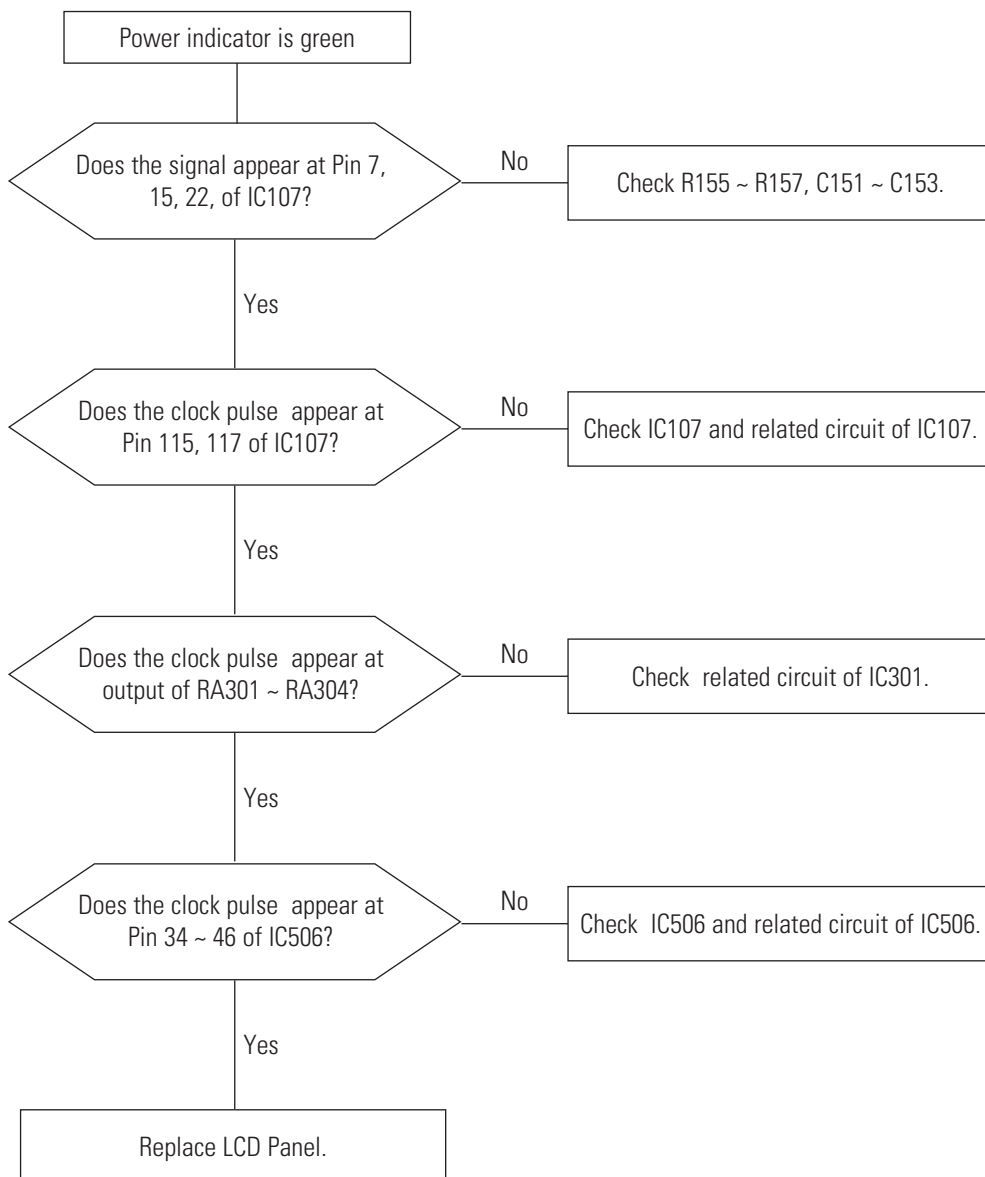
Memo

5 Troubleshooting

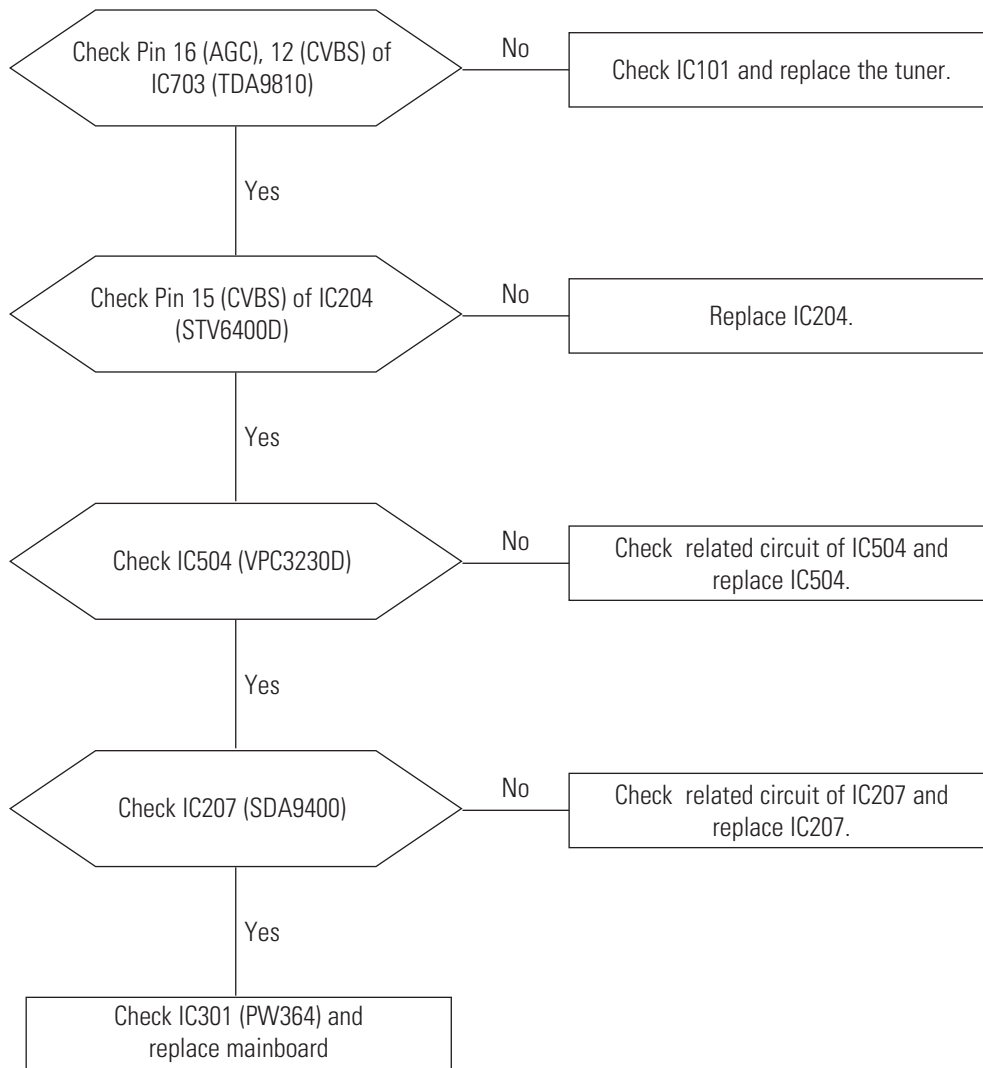
5-1 No Power



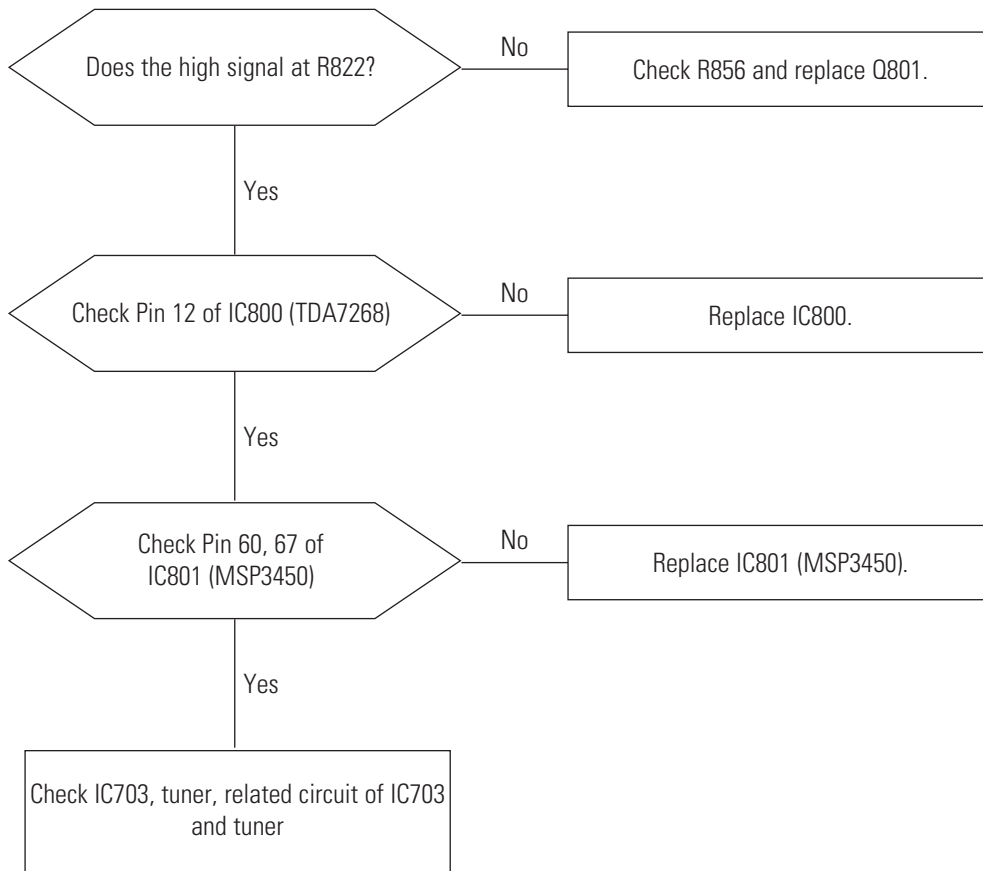
5-2 No Video (PC Signal)



5-3 No Picture (TV, Video 1, Video 2)

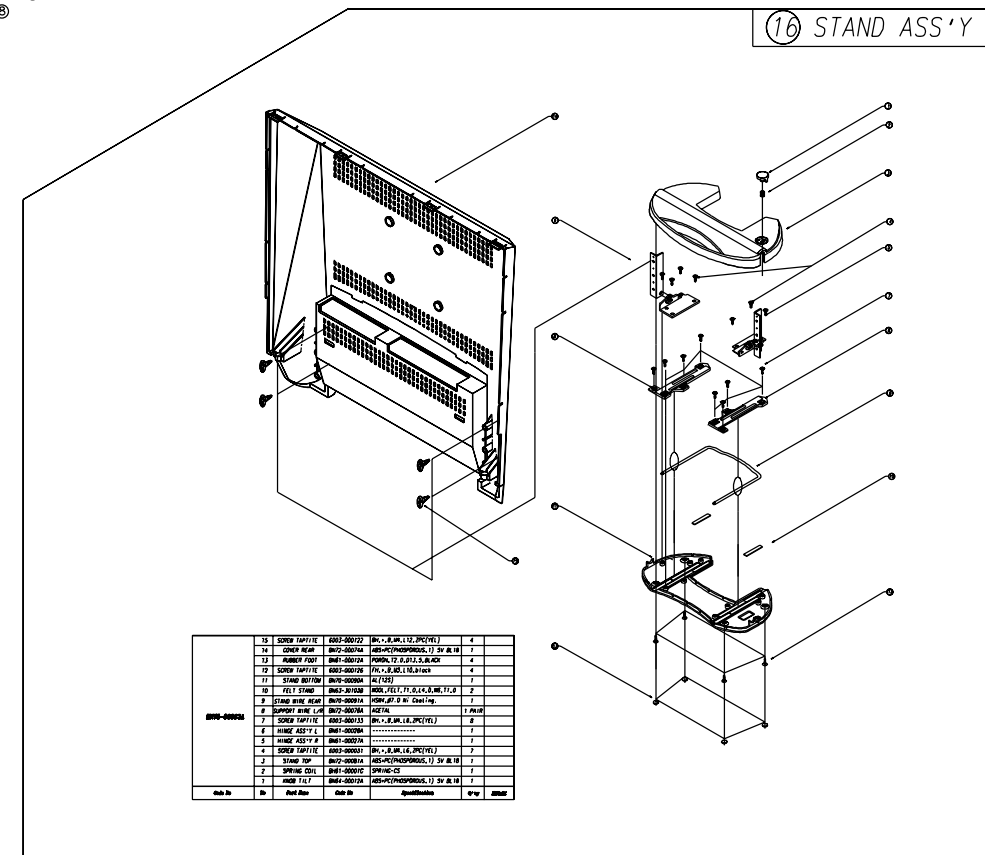
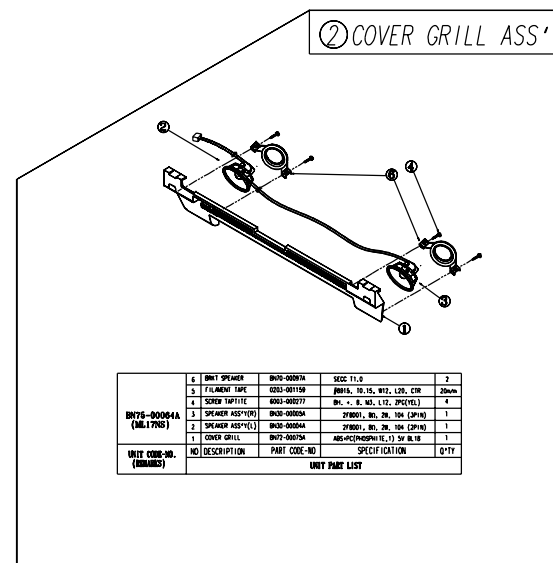
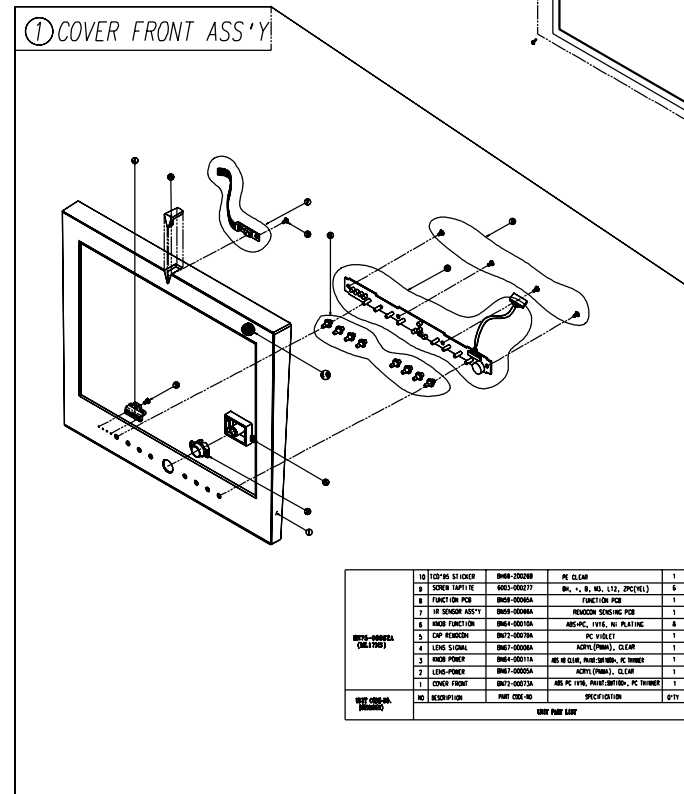
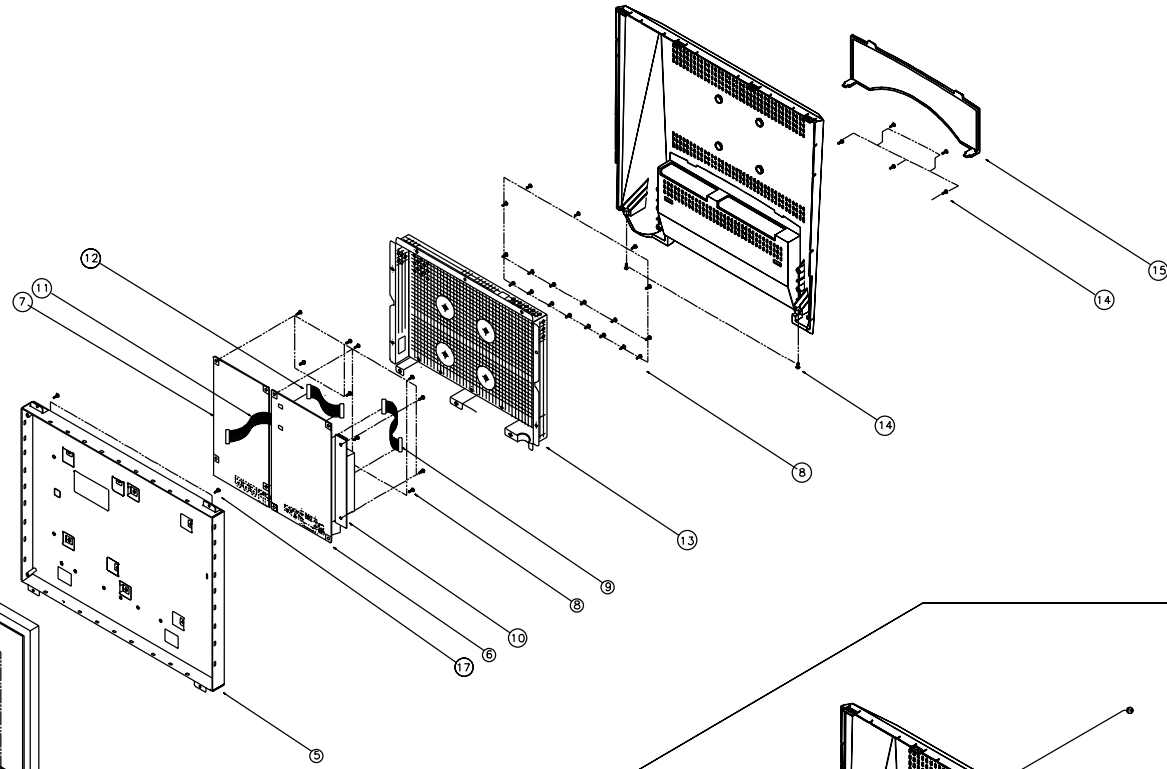


5-4 No Sound



6 Exploded View and Parts List

No	Part Name	Code No	Specification	Q'TY	
1	UNIT COVER FRONT	BN75-00062A	ABS+PC(PHOSPHITE,1) 5V 1V16 SPRAY : SMP1000-1	1	
2	UNIT COVER GRILL	BN75-00064A	ABS+PC(PHOSPHITE,1) 5V BL18	1	
3	SCREW TAPTITE	6003-000277	BH, +, B, M3, L12, ZPC(YEL)	4	
4	LCD PANEL	BN07-00012A	17" PANEL	1	
5	UNIT BRKT PANEL REAR	BN75-00076A	SECC T1.0 + GASKET	1	
6	A/D BOARD	BN98-00010F	-----	NTSC	1
		BN98-00010L	-----	PAL	1
7	TUNER BOARD	BN98-00011C	-----	NTSC	1
		BN98-00011F	-----	PAL	1
8	SCREW TAPTITE	6003-000117	BH, +, B, M3, L6, ZPC(YEL)	29	
9	HARNESS	BN39-00047A	INVERTER PCB + A/D BOARD	1	
10	INVERTER PCB	BN44-00029A	-----	1	
11	TMD5 CABLE	BN39-00055A	PANEL + A/D BOARD	1	
12	HARNESS	BN39-00047A	A/D BOARD + TUNER BOARD	1	
13	SHIELD MAIN PCB	BN70-00089A	SECC T0,5	1	
14	SCREW TAPTITE	6003-000275	BH, +, B, M3, L10, BLACK	5	
15	COVER SIGNAL	BN72-00061A	ABS+PC(PHOSPHITE,1) 5V GR40 SPRAY : METALIC SILVER	1	
16	UNIT STAND	BN75-00063A	ABS+PC(PHOSPHITE,1) 5V BL18	1	
17	SCREW TAPTITE	6003-000122	BH, +, B, M4, L12, ZPC(YEL)	7	



Memo

7 Electrical Parts List

7-1 Main PCB Parts

Loc. No.	Code No.	Description	Specification	Remarks
BD480	2703-001334	INDUCTOR-SMD	1.5uH,10%,2x1.25x0.85mm	
BD481	2703-001334	INDUCTOR-SMD	1.5uH,10%,2x1.25x0.85mm	
BD482	2703-001334	INDUCTOR-SMD	1.5uH,10%,2x1.25x0.85mm	
BD483	2703-001334	INDUCTOR-SMD	1.5uH,10%,2x1.25x0.85mm	
BD484	2703-001334	INDUCTOR-SMD	1.5uH,10%,2x1.25x0.85mm	
BD485	2703-001334	INDUCTOR-SMD	1.5uH,10%,2x1.25x0.85mm	
BD486	2703-001334	INDUCTOR-SMD	1.5uH,10%,2x1.25x0.85mm	
BD490	2703-001334	INDUCTOR-SMD	1.5uH,10%,2x1.25x0.85mm	
BD491	2703-001334	INDUCTOR-SMD	1.5uH,10%,2x1.25x0.85mm	
BD492	2703-001334	INDUCTOR-SMD	1.5uH,10%,2x1.25x0.85mm	
BD493	2703-001334	INDUCTOR-SMD	1.5uH,10%,2x1.25x0.85mm	
BD494	2703-001334	INDUCTOR-SMD	1.5uH,10%,2x1.25x0.85mm	
BD495	2703-001334	INDUCTOR-SMD	1.5uH,10%,2x1.25x0.85mm	
BD496	2703-001334	INDUCTOR-SMD	1.5uH,10%,2x1.25x0.85mm	
C100	2203-000204	C-CERAMIC,CHIP	100nF,10%,25V,X7R,TP,2012	
C101	2402-001042	C-AL,SMD	100uF,20%,16V,GP,TP,6.6x6.6x5	
C102	2409-001004	C-ORGANIC	100uF,20%,16V,LL,BK,8x10.5mm,3	
C103	2203-000204	C-CERAMIC,CHIP	100nF,10%,25V,X7R,TP,2012	
C104	2402-001042	C-AL,SMD	100uF,20%,16V,GP,TP,6.6x6.6x5	
C106	2409-001004	C-ORGANIC	100uF,20%,16V,LL,BK,8x10.5mm,3	
C107	2203-000260	C-CERAMIC,CHIP	10nF,10%,50V,X7R,TP,2012	
C108	2203-000260	C-CERAMIC,CHIP	10nF,10%,50V,X7R,TP,2012	
C109	2402-000170	C-AL,SMD	1uF,20%,50V,GP,TP,4.3x4.3x5.4	
C110	2409-001004	C-ORGANIC	100uF,20%,16V,LL,BK,8x10.5mm,3	
C111	2409-001004	C-ORGANIC	100uF,20%,16V,LL,BK,8x10.5mm,3	
C112	2402-000108	C-AL,SMD	10uF,20%,16V,WT,TP,4.3x4.3x5.4	
C114	2203-000204	C-CERAMIC,CHIP	100nF,10%,25V,X7R,TP,2012	
C116	2203-000204	C-CERAMIC,CHIP	100nF,10%,25V,X7R,TP,2012	
C117	2203-000260	C-CERAMIC,CHIP	10nF,10%,50V,X7R,TP,2012	
C118	2203-000204	C-CERAMIC,CHIP	100nF,10%,25V,X7R,TP,2012	
C119	2203-000260	C-CERAMIC,CHIP	10nF,10%,50V,X7R,TP,2012	
C120	2203-000204	C-CERAMIC,CHIP	100nF,10%,25V,X7R,TP,2012	
C121	2402-000176	C-AL,SMD	10uF,20%,16V,GP,TP,4.3x4.3x5.4	
C122	2402-000176	C-AL,SMD	10uF,20%,16V,GP,TP,4.3x4.3x5.4	
C123	2203-000204	C-CERAMIC,CHIP	100nF,10%,25V,X7R,TP,2012	
C124	2203-000204	C-CERAMIC,CHIP	100nF,10%,25V,X7R,TP,2012	
C125	2203-000204	C-CERAMIC,CHIP	100nF,10%,25V,X7R,TP,2012	
C126	2203-000204	C-CERAMIC,CHIP	100nF,10%,25V,X7R,TP,2012	
C130	2203-000204	C-CERAMIC,CHIP	100nF,10%,25V,X7R,TP,2012	
C131	2203-000204	C-CERAMIC,CHIP	100nF,10%,25V,X7R,TP,2012	
C132	2203-000204	C-CERAMIC,CHIP	100nF,10%,25V,X7R,TP,2012	
C133	2203-000204	C-CERAMIC,CHIP	100nF,10%,25V,X7R,TP,2012	
C134	2203-000204	C-CERAMIC,CHIP	100nF,10%,25V,X7R,TP,2012	
C135	2203-000204	C-CERAMIC,CHIP	100nF,10%,25V,X7R,TP,2012	
C136	2203-000204	C-CERAMIC,CHIP	100nF,10%,25V,X7R,TP,2012	

7 Electrical Parts List

Loc. No.	Code No.	Description	Specification	Remarks
C137	2203-000204	C-CERAMIC,CHIP	100nF,10%,25V,X7R,TP,2012	
C138	2203-000204	C-CERAMIC,CHIP	100nF,10%,25V,X7R,TP,2012	
C139	2203-000204	C-CERAMIC,CHIP	100nF,10%,25V,X7R,TP,2012	
C140	2203-000204	C-CERAMIC,CHIP	100nF,10%,25V,X7R,TP,2012	
C141	2203-000204	C-CERAMIC,CHIP	100nF,10%,25V,X7R,TP,2012	
C142	2203-000260	C-CERAMIC,CHIP	10nF,10%,50V,X7R,TP,2012	
C143	2203-000204	C-CERAMIC,CHIP	100nF,10%,25V,X7R,TP,2012	
C144	2203-000204	C-CERAMIC,CHIP	100nF,10%,25V,X7R,TP,2012	
C145	2203-000204	C-CERAMIC,CHIP	100nF,10%,25V,X7R,TP,2012	
C146	2203-000204	C-CERAMIC,CHIP	100nF,10%,25V,X7R,TP,2012	
C147	2203-000204	C-CERAMIC,CHIP	100nF,10%,25V,X7R,TP,2012	
C148	2203-000204	C-CERAMIC,CHIP	100nF,10%,25V,X7R,TP,2012	
C149	2203-000239	C-CERAMIC,CHIP	0.1nF,5%,50V,NP0,TP,2012	
C150	2203-000239	C-CERAMIC,CHIP	0.1nF,5%,50V,NP0,TP,2012	
C151	2203-002085	C-CERAMIC,CHIP	56nF,10%,50V,X7R,TP,2012	
C152	2203-002085	C-CERAMIC,CHIP	56nF,10%,50V,X7R,TP,2012	
C153	2203-002085	C-CERAMIC,CHIP	56nF,10%,50V,X7R,TP,2012	
C154	2203-000204	C-CERAMIC,CHIP	100nF,10%,25V,X7R,TP,2012	
C155	2203-000204	C-CERAMIC,CHIP	100nF,10%,25V,X7R,TP,2012	
C156	2402-000144	C-AL,SMD	3.3uF,20%,50V,GP,TP,4.3x4.3x5.	
C157	2203-000204	C-CERAMIC,CHIP	100nF,10%,25V,X7R,TP,2012	
C158	2203-000260	C-CERAMIC,CHIP	10nF,10%,50V,X7R,TP,2012	
C159	2203-000260	C-CERAMIC,CHIP	10nF,10%,50V,X7R,TP,2012	
C160	2203-000260	C-CERAMIC,CHIP	10nF,10%,50V,X7R,TP,2012	
C161	2203-000260	C-CERAMIC,CHIP	10nF,10%,50V,X7R,TP,2012	
C162	2203-000204	C-CERAMIC,CHIP	100nF,10%,25V,X7R,TP,2012	
C163	2203-000204	C-CERAMIC,CHIP	100nF,10%,25V,X7R,TP,2012	
C164	2203-000204	C-CERAMIC,CHIP	100nF,10%,25V,X7R,TP,2012	
C165	2203-000204	C-CERAMIC,CHIP	100nF,10%,25V,X7R,TP,2012	
C166	2203-000260	C-CERAMIC,CHIP	10nF,10%,50V,X7R,TP,2012	
C167	2203-000204	C-CERAMIC,CHIP	100nF,10%,25V,X7R,TP,2012	
C168	2203-000204	C-CERAMIC,CHIP	100nF,10%,25V,X7R,TP,2012	
C169	2402-000176	C-AL,SMD	10uF,20%,16V,GP,TP,4.3x4.3x5.4	
C170	2203-001088	C-CERAMIC,CHIP	0.005nF,0.25pF,50V,NP0,TP	
C171	2203-001088	C-CERAMIC,CHIP	0.005nF,0.25pF,50V,NP0,TP	
C172	2203-001088	C-CERAMIC,CHIP	0.005nF,0.25pF,50V,NP0,TP	
C173	2203-000204	C-CERAMIC,CHIP	100nF,10%,25V,X7R,TP,2012	
C174	2203-000260	C-CERAMIC,CHIP	10nF,10%,50V,X7R,TP,2012	
C175	2203-000204	C-CERAMIC,CHIP	100nF,10%,25V,X7R,TP,2012	
C176	2203-000260	C-CERAMIC,CHIP	10nF,10%,50V,X7R,TP,2012	
C177	2203-000204	C-CERAMIC,CHIP	100nF,10%,25V,X7R,TP,2012	
C178	2402-000170	C-AL,SMD	1uF,20%,50V,GP,TP,4.3x4.3x5.4	
C180	2402-000176	C-AL,SMD	10uF,20%,16V,GP,TP,4.3x4.3x5.4	
C181	2402-000170	C-AL,SMD	1uF,20%,50V,GP,TP,4.3x4.3x5.4	
C182	2409-001004	C-ORGANIC	100uF,20%,16V,LL,BK,8x10.5mm,3	
C183	2203-000389	C-CERAMIC,CHIP	0.015nF,5%,50V,NP0,TP,201	
C184	2203-000818	C-CERAMIC,CHIP	0.033nF,5%,50V,NP0,TP,201	

Loc. No.	Code No.	Description	Specification	Remarks
C185	2203-002392	C-CERAMIC,CHIP	220nF,+80-20%,50V,Y5V,TP	
C186	2203-002392	C-CERAMIC,CHIP	220nF,+80-20%,50V,Y5V,TP	
C187	2409-001004	C-ORGANIC	100uF,20%,16V,LL,BK,8x10.5mm,3	
C200	2203-000204	C-CERAMIC,CHIP	100nF,10%,25V,X7R,TP,2012	
C202	2203-000260	C-CERAMIC,CHIP	10nF,10%,50V,X7R,TP,2012	
C203	2402-001042	C-AL,SMD	100uF,20%,16V,GP,TP,6.6x6.6x5.	
C205	2203-000204	C-CERAMIC,CHIP	100nF,10%,25V,X7R,TP,2012	
C210	2203-000204	C-CERAMIC,CHIP	100nF,10%,25V,X7R,TP,2012	
C211	2402-001042	C-AL,SMD	100uF,20%,16V,GP,TP,6.6x6.6x5.	
C212	2203-000495	C-CERAMIC,CHIP	2.2nF,10%,50V,X7R,TP,2012	
C213	2402-000176	C-AL,SMD	10uF,20%,16V,GP,TP,4.3x4.3x5.4	
C214	2203-001143	C-CERAMIC,CHIP	68nF,10%,50V,X7R,TP,2012	
C215	2203-001143	C-CERAMIC,CHIP	68nF,10%,50V,X7R,TP,2012	
C216	2203-001143	C-CERAMIC,CHIP	68nF,10%,50V,X7R,TP,2012	
C217	2203-000989	C-CERAMIC,CHIP	47nF,10%,50V,X7R,TP,2012	
C218	2203-000142	C-CERAMIC,CHIP	1.5nF,10%,50V,X7R,TP,2012	
C219	2203-000204	C-CERAMIC,CHIP	100nF,10%,25V,X7R,TP,2012	
C220	2203-000555	C-CERAMIC,CHIP	0.02nF,5%,50V,NP0,TP,2012	
C221	2203-000555	C-CERAMIC,CHIP	0.02nF,5%,50V,NP0,TP,2012	
C222	2203-000989	C-CERAMIC,CHIP	47nF,10%,50V,X7R,TP,2012	
C223	2402-000176	C-AL,SMD	10uF,20%,16V,GP,TP,4.3x4.3x5.4	
C224	2402-000135	C-AL,SMD	22uF,20%,16V,GP,TP,5.3x5.3x5.4	
C225	2203-000260	C-CERAMIC,CHIP	10nF,10%,50V,X7R,TP,2012	
C226	2402-000176	C-AL,SMD	10uF,20%,16V,GP,TP,4.3x4.3x5.4	
C227	2203-000142	C-CERAMIC,CHIP	1.5nF,10%,50V,X7R,TP,2012	
C228	2203-000839	C-CERAMIC,CHIP	0.39nF,5%,50V,NP0,TP,2012	
C229	2203-005189	C-CERAMIC,CHIP	680nF,+80-20%,16V,Y5V,TP	
C230	2203-002392	C-CERAMIC,CHIP	220nF,+80-20%,50V,Y5V,TP	
C231	2203-000989	C-CERAMIC,CHIP	47nF,10%,50V,X7R,TP,2012	
C232	2402-000176	C-AL,SMD	10uF,20%,16V,GP,TP,4.3x4.3x5.4	
C233	2203-000142	C-CERAMIC,CHIP	1.5nF,10%,50V,X7R,TP,2012	
C234	2203-000989	C-CERAMIC,CHIP	47nF,10%,50V,X7R,TP,2012	
C235	2203-005189	C-CERAMIC,CHIP	680nF,+80-20%,16V,Y5V,TP	
C236	2203-000938	C-CERAMIC,CHIP	0.47nF,5%,50V,NP0,TP,2012	
C237	2203-002392	C-CERAMIC,CHIP	220nF,+80-20%,50V,Y5V,TP	
C238	2203-002392	C-CERAMIC,CHIP	220nF,+80-20%,50V,Y5V,TP	
C239	2203-002392	C-CERAMIC,CHIP	220nF,+80-20%,50V,Y5V,TP	
C240	2203-002392	C-CERAMIC,CHIP	220nF,+80-20%,50V,Y5V,TP	
C241	2203-002392	C-CERAMIC,CHIP	220nF,+80-20%,50V,Y5V,TP	
C242	2203-000784	C-CERAMIC,CHIP	0.33nF,5%,50V,NP0,TP,2012	
C243	2203-000784	C-CERAMIC,CHIP	0.33nF,5%,50V,NP0,TP,2012	
C244	2203-000784	C-CERAMIC,CHIP	0.33nF,5%,50V,NP0,TP,2012	
C245	2203-000784	C-CERAMIC,CHIP	0.33nF,5%,50V,NP0,TP,2012	
C246	2203-000784	C-CERAMIC,CHIP	0.33nF,5%,50V,NP0,TP,2012	
C247	2203-000784	C-CERAMIC,CHIP	0.33nF,5%,50V,NP0,TP,2012	
C248	2203-000784	C-CERAMIC,CHIP	0.33nF,5%,50V,NP0,TP,2012	
C249	2203-002442	C-CERAMIC,CHIP	330nF,+80-20%,25V,Y5V,TP	

7 Electrical Parts List

Loc. No.	Code No.	Description	Specification	Remarks
C250	2203-000839	C-CERAMIC,CHIP	0.39nF,5%,50V,NP0,TP,2012	
C251	2203-000142	C-CERAMIC,CHIP	1.5nF,10%,50V,X7R,TP,2012	
C252	2203-002392	C-CERAMIC,CHIP	220nF,+80-20%,50V,Y5V,TP	
C253	2203-000204	C-CERAMIC,CHIP	100nF,10%,25V,X7R,TP,2012	
C254	2402-000176	C-AL,SMD	10uF,20%,16V,GP,TP,4.3x4.3x5.4	
C255	2402-000179	C-AL,SMD	47uF,20%,16V,GP,TP,6.6x6.6x5.4	
C256	2203-000555	C-CERAMIC,CHIP	0.02nF,5%,50V,NP0,TP,2012	
C257	2402-000176	C-AL,SMD	10uF,20%,16V,GP,TP,4.3x4.3x5.4	
C258	2402-000176	C-AL,SMD	10uF,20%,16V,GP,TP,4.3x4.3x5.4	
C259	2402-001086	C-AL,SMD	100UF,20%,16V,WT,TP,6.6X6.6X5.3	
C264	2203-000495	C-CERAMIC,CHIP	2.2nF,10%,50V,X7R,TP,2012	
C265	2203-000204	C-CERAMIC,CHIP	100nF,10%,25V,X7R,TP,2012	
C266	2402-001100	C-AL,SMD	0.1uF,20%,50V,GP,TP,4.3x4.3x5.2	
C267	2203-000495	C-CERAMIC,CHIP	2.2nF,10%,50V,X7R,TP,2012	
C268	2203-000204	C-CERAMIC,CHIP	100nF,10%,25V,X7R,TP,2012	
C272	2402-000173	C-AL,SMD	4.7uF,20%,35V,GP,TP,4.3x4.3x5.	
C273	2402-000173	C-AL,SMD	4.7uF,20%,35V,GP,TP,4.3x4.3x5.	
C275	2402-000176	C-AL,SMD	10uF,20%,16V,GP,TP,4.3x4.3x5.4	
C276	2203-000260	C-CERAMIC,CHIP	10nF,10%,50V,X7R,TP,2012	
C278	2203-002392	C-CERAMIC,CHIP	220nF,+80-20%,50V,Y5V,TP	
C279	2203-002392	C-CERAMIC,CHIP	220nF,+80-20%,50V,Y5V,TP	
C280	2203-002392	C-CERAMIC,CHIP	220nF,+80-20%,50V,Y5V,TP	
C281	2203-002392	C-CERAMIC,CHIP	220nF,+80-20%,50V,Y5V,TP	
C282	2402-000173	C-AL,SMD	4.7uF,20%,35V,GP,TP,4.3x4.3x5	
C283	2203-000204	C-CERAMIC,CHIP	100nF,10%,25V,X7R,TP,2012	
C284	2402-000176	C-AL,SMD	10uF,20%,16V,GP,TP,4.3x4.3x5.4	
C285	2203-000260	C-CERAMIC,CHIP	10nF,10%,50V,X7R,TP,2012	
C286	2203-000204	C-CERAMIC,CHIP	100nF,10%,25V,X7R,TP,2012	
C287	2203-000204	C-CERAMIC,CHIP	100nF,10%,25V,X7R,TP,2012	
C288	2203-000204	C-CERAMIC,CHIP	100nF,10%,25V,X7R,TP,2012	
C289	2203-000204	C-CERAMIC,CHIP	100nF,10%,25V,X7R,TP,2012	
C290	2203-000204	C-CERAMIC,CHIP	100nF,10%,25V,X7R,TP,2012	
C291	2203-000204	C-CERAMIC,CHIP	100nF,10%,25V,X7R,TP,2012	
C292	2203-000204	C-CERAMIC,CHIP	100nF,10%,25V,X7R,TP,2012	
C293	2203-000204	C-CERAMIC,CHIP	100nF,10%,25V,X7R,TP,2012	
C294	2203-000204	C-CERAMIC,CHIP	100nF,10%,25V,X7R,TP,2012	
C295	2203-000204	C-CERAMIC,CHIP	100nF,10%,25V,X7R,TP,2012	
C296	2203-000204	C-CERAMIC,CHIP	100nF,10%,25V,X7R,TP,2012	
C297	2402-001086	C-AL,SMD	100UF,20%,16V,WT,TP,6.6X6.6X5.3	
C298	2402-001086	C-AL,SMD	100UF,20%,16V,WT,TP,6.6X6.6X5.3	
C299	2203-000204	C-CERAMIC,CHIP	100nF,10%,25V,X7R,TP,2012	
C300	2402-000176	C-AL,SMD	10uF,20%,16V,GP,TP,4.3x4.3x5.4	
C301	2203-000204	C-CERAMIC,CHIP	100nF,10%,25V,X7R,TP,2012	
C302	2203-000204	C-CERAMIC,CHIP	100nF,10%,25V,X7R,TP,2012	
C303	2203-000204	C-CERAMIC,CHIP	100nF,10%,25V,X7R,TP,2012	
C304	2203-000204	C-CERAMIC,CHIP	100nF,10%,25V,X7R,TP,2012	
C305	2203-000204	C-CERAMIC,CHIP	100nF,10%,25V,X7R,TP,2012	

Loc. No.	Code No.	Description	Specification	Remarks
C306	2203-000204	C-CERAMIC,CHIP	100nF,10%,25V,X7R,TP,2012	
C307	2203-000204	C-CERAMIC,CHIP	100nF,10%,25V,X7R,TP,2012	
C308	2203-000204	C-CERAMIC,CHIP	100nF,10%,25V,X7R,TP,2012	
C309	2203-000204	C-CERAMIC,CHIP	100nF,10%,25V,X7R,TP,2012	
C310	2203-000204	C-CERAMIC,CHIP	100nF,10%,25V,X7R,TP,2012	
C311	2203-000204	C-CERAMIC,CHIP	100nF,10%,25V,X7R,TP,2012	
C312	2203-000204	C-CERAMIC,CHIP	100nF,10%,25V,X7R,TP,2012	
C313	2203-000204	C-CERAMIC,CHIP	100nF,10%,25V,X7R,TP,2012	
C314	2203-000204	C-CERAMIC,CHIP	100nF,10%,25V,X7R,TP,2012	
C315	2203-000204	C-CERAMIC,CHIP	100nF,10%,25V,X7R,TP,2012	
C316	2203-000204	C-CERAMIC,CHIP	100nF,10%,25V,X7R,TP,2012	
C317	2203-000204	C-CERAMIC,CHIP	100nF,10%,25V,X7R,TP,2012	
C318	2203-000204	C-CERAMIC,CHIP	100nF,10%,25V,X7R,TP,2012	
C319	2402-000176	C-AL,SMD	10uF,20%,16V,GP,TP,4.3x4.3x5.4	
C320	2203-000204	C-CERAMIC,CHIP	100nF,10%,25V,X7R,TP,2012	
C321	2203-000204	C-CERAMIC,CHIP	100nF,10%,25V,X7R,TP,2012	
C322	2203-000204	C-CERAMIC,CHIP	100nF,10%,25V,X7R,TP,2012	
C323	2203-000204	C-CERAMIC,CHIP	100nF,10%,25V,X7R,TP,2012	
C324	2203-000204	C-CERAMIC,CHIP	100nF,10%,25V,X7R,TP,2012	
C325	2203-000204	C-CERAMIC,CHIP	100nF,10%,25V,X7R,TP,2012	
C326	2203-000204	C-CERAMIC,CHIP	100nF,10%,25V,X7R,TP,2012	
C327	2203-000204	C-CERAMIC,CHIP	100nF,10%,25V,X7R,TP,2012	
C328	2203-000204	C-CERAMIC,CHIP	100nF,10%,25V,X7R,TP,2012	
C329	2203-000204	C-CERAMIC,CHIP	100nF,10%,25V,X7R,TP,2012	
C330	2203-000818	C-CERAMIC,CHIP	0.033nF,5%,50V,NP0,TP,201	
C400	2203-000204	C-CERAMIC,CHIP	100nF,10%,25V,X7R,TP,2012	
C401	2203-000260	C-CERAMIC,CHIP	10nF,10%,50V,X7R,TP,2012	
C402	2203-000260	C-CERAMIC,CHIP	10nF,10%,50V,X7R,TP,2012	
C403	2203-000260	C-CERAMIC,CHIP	10nF,10%,50V,X7R,TP,2012	
C404	2203-000260	C-CERAMIC,CHIP	10nF,10%,50V,X7R,TP,2012	
C405	2203-000260	C-CERAMIC,CHIP	10nF,10%,50V,X7R,TP,2012	
C406	2203-000260	C-CERAMIC,CHIP	10nF,10%,50V,X7R,TP,2012	
C407	2203-000204	C-CERAMIC,CHIP	100nF,10%,25V,X7R,TP,2012	
C408	2203-000204	C-CERAMIC,CHIP	100nF,10%,25V,X7R,TP,2012	
C414	2203-000260	C-CERAMIC,CHIP	10nF,10%,50V,X7R,TP,2012	
C415	2402-000176	C-AL,SMD	10uF,20%,16V,GP,TP,4.3x4.3x5.4	
C416	2203-000204	C-CERAMIC,CHIP	100nF,10%,25V,X7R,TP,2012	
C417	2203-001077	C-CERAMIC,CHIP	0.056nF,5%,50V,NP0,TP,201	
C418	2203-001077	C-CERAMIC,CHIP	0.056nF,5%,50V,NP0,TP,201	
C501	2402-000176	C-AL,SMD	10uF,20%,16V,GP,TP,4.3x4.3x5.4	
C502	2203-000260	C-CERAMIC,CHIP	10nF,10%,50V,X7R,TP,2012	
C510	2203-000204	C-CERAMIC,CHIP	100nF,10%,25V,X7R,TP,2012	
C511	2203-000260	C-CERAMIC,CHIP	10nF,10%,50V,X7R,TP,2012	
C514	2203-000204	C-CERAMIC,CHIP	100nF,10%,25V,X7R,TP,2012	
C516	2203-000260	C-CERAMIC,CHIP	10nF,10%,50V,X7R,TP,2012	
C517	2203-000204	C-CERAMIC,CHIP	100nF,10%,25V,X7R,TP,2012	
C518	2402-001042	C-AL,SMD	100uF,20%,16V,GP,TP,6.6x6.6x5.	
C519	2409-001004	C-ORGANIC	100uF,20%,16V,LL,BK,8x10.5mm,3	
C520	2203-000204	C-CERAMIC,CHIP	100nF,10%,25V,X7R,TP,2012	

7 Electrical Parts List

Loc. No.	Code No.	Description	Specification	Remarks
C521	2203-000260	C-CERAMIC,CHIP	10nF,10%,50V,X7R,TP,2012	
C522	2402-001042	C-AL,SMD	100uF,20%,16V,GP,TP,6.6x6.6x5	
C523	2203-000204	C-CERAMIC,CHIP	100nF,10%,25V,X7R,TP,2012	
C524	2404-000123	C-TA,CHIP	10uF,20%,16V,TP,6032,2.9mm	
C525	2402-001042	C-AL,SMD	100uF,20%,16V,GP,TP,6.6x6.6x5	
C601	2404-001075	C-TA,CHIP	100UF,20%,16V,GP,TP,7343	
C602	2203-000204	C-CERAMIC,CHIP	100nF,10%,25V,X7R,TP,2012	
C603	2203-000204	C-CERAMIC,CHIP	100nF,10%,25V,X7R,TP,2012	
C604	2203-000204	C-CERAMIC,CHIP	100nF,10%,25V,X7R,TP,2012	
C605	2203-000204	C-CERAMIC,CHIP	100nF,10%,25V,X7R,TP,2012	
C606	2203-001723	C-CERAMIC,CHIP	0.0047nF,5%,50V,NP0,TP,20	
C607	2203-000204	C-CERAMIC,CHIP	100nF,10%,25V,X7R,TP,2012	
C608	2203-000204	C-CERAMIC,CHIP	100nF,10%,25V,X7R,TP,2012	
C609	2203-000204	C-CERAMIC,CHIP	100nF,10%,25V,X7R,TP,2012	
C610	2404-000123	C-TA,CHIP	10uF,20%,16V,TP,6032,2.9mm	
C611	2203-000204	C-CERAMIC,CHIP	100nF,10%,25V,X7R,TP,2012	
C612	2203-000204	C-CERAMIC,CHIP	100nF,10%,25V,X7R,TP,2012	
C613	2203-000204	C-CERAMIC,CHIP	100nF,10%,25V,X7R,TP,2012	
C614	2203-000204	C-CERAMIC,CHIP	100nF,10%,25V,X7R,TP,2012	
C615	2203-000204	C-CERAMIC,CHIP	100nF,10%,25V,X7R,TP,2012	
C616	2203-000204	C-CERAMIC,CHIP	100nF,10%,25V,X7R,TP,2012	
C617	2203-000204	C-CERAMIC,CHIP	100nF,10%,25V,X7R,TP,2012	
C618	2203-000204	C-CERAMIC,CHIP	100nF,10%,25V,X7R,TP,2012	
C619	2404-000123	C-TA,CHIP	10uF,20%,16V,TP,6032,2.9mm	
C620	2203-000204	C-CERAMIC,CHIP	100nF,10%,25V,X7R,TP,2012	
C622	2203-000204	C-CERAMIC,CHIP	100nF,10%,25V,X7R,TP,2012	
C624	2203-000204	C-CERAMIC,CHIP	100nF,10%,25V,X7R,TP,2012	
C900	2203-002392	C-CERAMIC,CHIP	220nF,+80-20%,50V,Y5V,TP	
C901	2203-001077	C-CERAMIC,CHIP	0.056nF,5%,50V,NP0,TP,201	
CA100	2503-001019	C-NETWORK	33PFX4,10%,50V,CHIP	
CA101	2503-001019	C-NETWORK	33PFX4,10%,50V,CHIP	
CA102	2503-001019	C-NETWORK	33PFX4,10%,50V,CHIP	
CA103	2503-001019	C-NETWORK	33PFX4,10%,50V,CHIP	
CA104	2503-001019	C-NETWORK	33PFX4,10%,50V,CHIP	
CA105	2503-001019	C-NETWORK	33PFX4,10%,50V,CHIP	
CA106	2503-001019	C-NETWORK	33PFX4,10%,50V,CHIP	
CA107	2503-001019	C-NETWORK	33PFX4,10%,50V,CHIP	
CA108	2503-001019	C-NETWORK	33PFX4,10%,50V,CHIP	
CA109	2503-001019	C-NETWORK	33PFX4,10%,50V,CHIP	
CA110	2503-001019	C-NETWORK	33PFX4,10%,50V,CHIP	
CA111	2503-001019	C-NETWORK	33PFX4,10%,50V,CHIP	
CA300	2503-001018	C-NETWORK	15PFX4,10%,50V	
CA301	2503-001018	C-NETWORK	15PFX4,10%,50V	
CA302	2503-001018	C-NETWORK	15PFX4,10%,50V	
CA303	2503-001018	C-NETWORK	15PFX4,10%,50V	
CA304	2503-001018	C-NETWORK	15PFX4,10%,50V	
CA305	2503-001018	C-NETWORK	15PFX4,10%,50V	

Loc. No.	Code No.	Description	Specification	Remarks
CA306	2503-001018	C-NETWORK	15PFX4,10%,50V	
CA307	2503-001018	C-NETWORK	15PFX4,10%,50V	
CA308	2503-001018	C-NETWORK	15PFX4,10%,50V	
CA309	2503-001018	C-NETWORK	15PFX4,10%,50V	
CA310	2503-001018	C-NETWORK	15PFX4,10%,50V	
CA311	2503-001018	C-NETWORK	15PFX4,10%,50V	
CFT301	2901-001133	FILTER-EMISMD	25V,0.15A,33pF,2x1.25x0	
CIS	BN70-00072A	SHIELD-D/SUB	ML15NS,SPT,TO.5	
CL101	BN27-00002A	COIL-CHOKE(SMD)	47UH,20%,12*12*8MM,TP	
CL102	BN27-20001A	COIL-CHOKE	53.0UH,20%,DR10*5,TRAY	
CL502	BN27-20001A	COIL-CHOKE	53.0UH,20%,DR10*5,TRAY	
CN101	3701-001129	CONNECTOR-DSUB	15P,3R,FEMALE,ANGLE,AUF	
CN102	3722-000117	JACK-DCPOWER	3P,3.5mm,AG,BLK,NO	
CN200	3722-001100	JACK-DIN	4P/2C,6mm,AG,BLK,NO	
CN201	3711-002046	CONNECTOR-HEADER	3WALL,12P,1R,1.25mm,SMD	
CN203	3722-001178	JACK-PIN	1P,3.4mm,SN,YEL,#16-22	
CN302	3711-001465	CONNECTOR-HEADER	NOWALL,3P,1R,2.54mm,STR	
CN404	3711-003938	CONNECTOR-HEADER	3WALL,15P,1R,1.25mm,SMD	
CN405	3711-001465	CONNECTOR-HEADER	NOWALL,3P,1R,2.54mm,STR	
CN406	3711-000057	CONNECTOR-HEADER	BOX,3P,1R,2.5mm,ANGLE,S	
CN501	3711-002046	CONNECTOR-HEADER	3WALL,12P,1R,1.25mm,SMD	
CN503	3711-003942	CONNECTOR-HEADER	BOX,2P,1R,2mm,STRAIGHT	
CN601	3711-004130	CONNECTOR-HEADER	BOX,31P,2R,0.625mm,SMD	
D100	0402-000553	DIODE-RECTIFIER	SS24,40V,2.0A,DO-214AA,T	
D101	0402-000553	DIODE-RECTIFIER	SS24,40V,2.0A,DO-214AA,T	
D102	0403-000277	DIODE-ZENER	MMBZ5226B,3.3V,5%,225mW,SOT	
D103	0403-000277	DIODE-ZENER	MMBZ5226B,3.3V,5%,225mW,SOT	
D104	0403-000277	DIODE-ZENER	MMBZ5226B,3.3V,5%,225mW,SOT	
D105	0403-000277	DIODE-ZENER	MMBZ5226B,3.3V,5%,225mW,SOT	
D106	0403-000277	DIODE-ZENER	MMBZ5226B,3.3V,5%,225mW,SOT	
D107	0401-001056	DIODE-SWITCHING	MMBD4148SE,75V,600mA,SOT	
D108	0401-001056	DIODE-SWITCHING	MMBD4148SE,75V,600mA,SOT	
D109	0401-001056	DIODE-SWITCHING	MMBD4148SE,75V,600mA,SOT	
D211	0403-000277	DIODE-ZENER	MMBZ5226B,3.3V,5%,225mW,SOT	
D212	0403-000277	DIODE-ZENER	MMBZ5226B,3.3V,5%,225mW,SOT	
D213	0403-000277	DIODE-ZENER	MMBZ5226B,3.3V,5%,225mW,SOT	
D215	0403-000277	DIODE-ZENER	MMBZ5226B,3.3V,5%,225mW,SOT	
D217	0401-001056	DIODE-SWITCHING	MMBD4148SE,75V,600mA,SOT	
D218	0403-000277	DIODE-ZENER	MMBZ5226B,3.3V,5%,225mW,SOT	
D505	0402-000553	DIODE-RECTIFIER	SS24,40V,2.0A,DO-214AA,T	
FT100	3301-001145	CORE-FERRITEBEAD	AB,4.5x1.6x1.6mm	
FT101	3301-001145	CORE-FERRITEBEAD	AB,4.5x1.6x1.6mm	
FT103	3301-001145	CORE-FERRITEBEAD	AB,4.5x1.6x1.6mm	
FT104	3301-001145	CORE-FERRITEBEAD	AB,4.5x1.6x1.6mm	
FT105	2901-001114	FILTER-EMISMD	25VDC,2.0ADC,100nF,3.2x	
FT106	2901-001114	FILTER-EMISMD	25VDC,2.0ADC,100nF,3.2x	
FT107	2901-001114	FILTER-EMISMD	25VDC,2.0ADC,100nF,3.2x	

7 Electrical Parts List

Loc. No.	Code No.	Description	Specification	Remarks
FT108	2901-001114	FILTER-EMISMD	25VDC,2.0ADC,100nF,3.2x	
FT109	2901-001114	FILTER-EMISMD	25VDC,2.0ADC,100nF,3.2x	
FT110	2901-001114	FILTER-EMISMD	25VDC,2.0ADC,100nF,3.2x	
FT111	2901-001114	FILTER-EMISMD	25VDC,2.0ADC,100nF,3.2x	
FT112	2901-001114	FILTER-EMISMD	25VDC,2.0ADC,100nF,3.2x	
FT114	3301-001145	CORE-FERRITEBEAD	AB,4.5x1.6x1.6mm	
FT115	3301-001145	CORE-FERRITEBEAD	AB,4.5x1.6x1.6mm	
FT200	3301-001145	CORE-FERRITEBEAD	AB,4.5x1.6x1.6mm	
FT201	2901-001114	FILTER-EMISMD	25VDC,2.0ADC,100nF,3.2x	
FT202	2901-001114	FILTER-EMISMD	25VDC,2.0ADC,100nF,3.2x	
FT203	2901-001114	FILTER-EMISMD	25VDC,2.0ADC,100nF,3.2x	
FT204	2901-001114	FILTER-EMISMD	25VDC,2.0ADC,100nF,3.2x	
FT205	2901-001114	FILTER-EMISMD	25VDC,2.0ADC,100nF,3.2x	
FT206	2901-001114	FILTER-EMISMD	25VDC,2.0ADC,100nF,3.2x	
FT207	2901-001114	FILTER-EMISMD	25VDC,2.0ADC,100nF,3.2x	
FT208	2901-001114	FILTER-EMISMD	25VDC,2.0ADC,100nF,3.2x	
FT209	3301-001145	CORE-FERRITEBEAD	AB,4.5x1.6x1.6mm	
FT210	2901-001114	FILTER-EMISMD	25VDC,2.0ADC,100nF,3.2x	
FT301	2901-001114	FILTER-EMISMD	25VDC,2.0ADC,100nF,3.2x	
FT302	2901-001114	FILTER-EMISMD	25VDC,2.0ADC,100nF,3.2x	
FT402	2901-001114	FILTER-EMISMD	25VDC,2.0ADC,100nF,3.2x	
FT500	2901-001114	FILTER-EMISMD	25VDC,2.0ADC,100nF,3.2x	
FT514	2901-001114	FILTER-EMISMD	25VDC,2.0ADC,100nF,3.2x	
FT515	3301-001145	CORE-FERRITEBEAD	AB,4.5x1.6x1.6mm	
FT524	3301-001145	CORE-FERRITEBEAD	AB,4.5x1.6x1.6mm	
FT601	3301-001145	CORE-FERRITEBEAD	AB,4.5x1.6x1.6mm	
FT602	2901-001114	FILTER-EMISMD	25VDC,2.0ADC,100nF,3.2x	
FT603	3301-001145	CORE-FERRITEBEAD	AB,4.5x1.6x1.6mm	
FT604	2901-001114	FILTER-EMISMD	25VDC,2.0ADC,100nF,3.2x	
FT605	2901-001114	FILTER-EMISMD	25VDC,2.0ADC,100nF,3.2x	
FT606	2901-001114	FILTER-EMISMD	25VDC,2.0ADC,100nF,3.2x	
FT607	2901-001114	FILTER-EMISMD	25VDC,2.0ADC,100nF,3.2x	
IC101	1203-001293	IC-POSI.FIXEDREG.	033,TO-252,3P,6.5MIL	
IC103	1203-001831	IC-SWITCHVOL.REG.	2676,TO-263,7P,PLAST	
IC104	1203-001830	IC-SWITCHVOL.REG.	2676,TO-263,7P,PLAST	
IC105	1103-001164	IC-EEPROM	24LC21A,128X8BIT,SOP,8P,150MIL	
IC106	0801-002267	IC-CMOSLOGIC	74LCX14,SOIC,14P,150MIL	
IC107	1002-001204	IC-A/D CONVERTER	AD9884AKS-140,8BIT,QFP,1	
IC108	0801-002394	IC-CMOSLOGIC	74LCX32,ORGATE,SOIC,14P,150	
IC109	1205-001713	IC-MULTIPLIER	ICS502M,SOIC,8P,150MIL,PLA	
IC110	1204-000292	IC-VIDEOSYSTEM	LM1881M,SOP,8P,150MIL,PLA	
IC111	1205-001713	IC-MULTIPLIER	ICS502M,SOIC,8P,150MIL,PLA	
IC112	1203-001109	IC-VOL.DETECTOR	7045,SOT-89,3P,PLASTI	
IC200	1001-001109	IC-ANALOGSWITCH	FST3125M,BUSSWITCH&CMOS	
IC202	1001-000191	IC-VIDEOSWITCH	NJM2248M,CMOS,SOP,8P,SI	
IC204	1205-001754	IC-INTERFACE	STV6400D,SOP,20P,300MIL,PLA	
IC205	1204-001388	IC-DECODER	Z86129,SOP,18P,PLASTIC,6.0V	

Loc. No.	Code No.	Description	Specification	Remarks
IC206	1205-001776	IC-MIXER	NJM2509V,SSOP,8P,PLASTIC,7V,2	
IC207	1204-001623	IC-VERTICALPROCESSO	SDA9400,QFP,64P,PL	
IC208	1203-001488	IC-POSI.FIXEDREG.	7805,TO-252,3P,PLAS	
IC209	1204-001598	IC-VIDEOPROCESS	VPC3230D-A0,QFP,80P,PL	
IC301	1003-001249	IC-LCDCONTROLLER	PW364-S1675,TBGA,352P,1	
IC401	1103-001023	IC-EEPROM	24C08,1028x8BIT,SOP,8P,150MIL	
IC402	1107-001177	IC-FLASHMEMORY	29W400,512KX80R256KX16BIT	
IC502	1002-001177	IC-D/ACONVERTER	AD5301B,8BIT,SOT-23,6P,6	
IC503	0904-001009	IC-I/OSUPPORTCHIP	8574A,SOP,16P,300MIL	
IC504	1203-001831	IC-SWITCHVOL.REG.	2676,TO-263,7P,PLAST	
IC505	1203-001890	IC-VOLTAGEREGULATOR	3961,SOT223-5,5P,P	
IC506	1006-001130	IC-LINETRANSCEIVER	150,QFP,100P,TR	
L199	2703-001070	INDUCTOR-SMD	100uH,10%,4.5x3.2x3.2mm	
L201	2703-001778	INDUCTOR-SMD	3.3UH,20%,3.2X2.5X2.2MM	
L202	2703-001778	INDUCTOR-SMD	3.3UH,20%,3.2X2.5X2.2MM	
L203	2703-001070	INDUCTOR-SMD	100uH,10%,4.5x3.2x3.2mm	
L204	2703-001778	INDUCTOR-SMD	3.3UH,20%,3.2X2.5X2.2MM	
L205	2703-001778	INDUCTOR-SMD	3.3UH,20%,3.2X2.5X2.2MM	
L206	2703-001778	INDUCTOR-SMD	3.3UH,20%,3.2X2.5X2.2MM	
L400	2703-001778	INDUCTOR-SMD	3.3UH,20%,3.2X2.5X2.2MM	
L401	2703-001778	INDUCTOR-SMD	3.3UH,20%,3.2X2.5X2.2MM	
L403	2703-001778	INDUCTOR-SMD	3.3UH,20%,3.2X2.5X2.2MM	
L505	2703-001778	INDUCTOR-SMD	3.3UH,20%,3.2X2.5X2.2MM	
L601	2703-001334	INDUCTOR-SMD	1.5uH,10%,2x1.25x0.85mm	
L602	2703-001334	INDUCTOR-SMD	1.5uH,10%,2x1.25x0.85mm	
MP1.0	BN41-00022A	PCBMAIN	1.6T	
Q101	0501-002080	TR-SMALLSIGNAL	2SC2412K,NPN,200mW,SOT-2	
Q102	0501-002080	TR-SMALLSIGNAL	2SC2412K,NPN,200mW,SOT-2	
Q103	0501-002080	TR-SMALLSIGNAL	2SC2412K,NPN,200mW,SOT-2	
Q201	0501-002080	TR-SMALLSIGNAL	2SC2412K,NPN,200mW,SOT-2	
Q202	0501-002080	TR-SMALLSIGNAL	2SC2412K,NPN,200mW,SOT-2	
Q203	0501-002080	TR-SMALLSIGNAL	2SC2412K,NPN,200mW,SOT-2	
Q204	0501-002080	TR-SMALLSIGNAL	2SC2412K,NPN,200mW,SOT-2	
Q208	0501-002080	TR-SMALLSIGNAL	2SC2412K,NPN,200mW,SOT-2	
Q400	0501-002080	TR-SMALLSIGNAL	2SC2412K,NPN,200mW,SOT-2	
Q402	0501-002080	TR-SMALLSIGNAL	2SC2412K,NPN,200mW,SOT-2	
Q403	0501-002080	TR-SMALLSIGNAL	2SC2412K,NPN,200mW,SOT-2	
Q404	0501-002080	TR-SMALLSIGNAL	2SC2412K,NPN,200mW,SOT-2	
Q405	0501-002080	TR-SMALLSIGNAL	2SC2412K,NPN,200mW,SOT-2	
Q406	0501-002080	TR-SMALLSIGNAL	2SC2412K,NPN,200mW,SOT-2	
Q500	0501-002080	TR-SMALLSIGNAL	2SC2412K,NPN,200mW,SOT-2	
Q503	0501-002080	TR-SMALLSIGNAL	2SC2412K,NPN,200mW,SOT-2	
R103	2007-000872	R-CHIP	4.7KOHM,5%,1/10W,DA,TP,2012	
R104	2007-000872	R-CHIP	4.7KOHM,5%,1/10W,DA,TP,2012	
R106	2007-000282	R-CHIP	100KOHM,5%,1/10W,DA,TP,2012	
R108	2007-000300	R-CHIP	10KOHM,5%,1/10W,DA,TP,2012	
R109	2007-000300	R-CHIP	10KOHM,5%,1/10W,DA,TP,2012	

7 Electrical Parts List

Loc. No.	Code No.	Description	Specification	Remarks
R110	2007-000300	R-CHIP	10KOHM,5%,1/10W,DA,TP,2012	
R111	2007-000300	R-CHIP	10KOHM,5%,1/10W,DA,TP,2012	
R112	2007-000290	R-CHIP	1000HM,5%,1/10W,DA,TP,2012	
R113	2007-000290	R-CHIP	1000HM,5%,1/10W,DA,TP,2012	
R114	2007-000572	R-CHIP	2200HM,5%,1/10W,DA,TP,2012	
R115	2007-000572	R-CHIP	2200HM,5%,1/10W,DA,TP,2012	
R116	2007-000686	R-CHIP	3.3KOHM,5%,1/10W,DA,TP,2012	
R117	2007-000468	R-CHIP	1KOHM,5%,1/10W,DA,TP,2012	
R118	2007-000290	R-CHIP	1000HM,5%,1/10W,DA,TP,2012	
R119	2007-000290	R-CHIP	1000HM,5%,1/10W,DA,TP,2012	
R120	2007-000241	R-CHIP	1.5KOHM,5%,1/10W,DA,TP,2012	
R121	2007-000300	R-CHIP	10KOHM,5%,1/10W,DA,TP,2012	
R122	2007-001166	R-CHIP	750HM,5%,1/10W,DA,TP,2012	
R123	2007-001166	R-CHIP	750HM,5%,1/10W,DA,TP,2012	
R124	2007-001166	R-CHIP	750HM,5%,1/10W,DA,TP,2012	
R125	2007-000872	R-CHIP	4.7KOHM,5%,1/10W,DA,TP,2012	
R126	2007-000947	R-CHIP	470HM,5%,1/10W,DA,TP,2012	
R127	2007-000947	R-CHIP	470HM,5%,1/10W,DA,TP,2012	
R128	2007-000947	R-CHIP	470HM,5%,1/10W,DA,TP,2012	
R129	2007-000931	R-CHIP	4700HM,5%,1/10W,DA,TP,2012	
R130	2007-000931	R-CHIP	4700HM,5%,1/10W,DA,TP,2012	
R131	2007-000872	R-CHIP	4.7KOHM,5%,1/10W,DA,TP,2012	
R132	2007-000300	R-CHIP	10KOHM,5%,1/10W,DA,TP,2012	
R133	2007-000947	R-CHIP	470HM,5%,1/10W,DA,TP,2012	
R134	2007-000872	R-CHIP	4.7KOHM,5%,1/10W,DA,TP,2012	
R135	2007-000468	R-CHIP	1KOHM,5%,1/10W,DA,TP,2012	
R136	2007-000468	R-CHIP	1KOHM,5%,1/10W,DA,TP,2012	
R137	2007-000947	R-CHIP	470HM,5%,1/10W,DA,TP,2012	
R139	2007-000572	R-CHIP	2200HM,5%,1/10W,DA,TP,2012	
R141	2007-000931	R-CHIP	4700HM,5%,1/10W,DA,TP,2012	
R142	2007-001198	R-CHIP	8200HM,1%,1/10W,DA,TP,2012	
R143	2007-000023	R-CHIP	1200HM,5%,1/10W,DA,TP,2012	
R144	2007-000947	R-CHIP	470HM,5%,1/10W,DA,TP,2012	
R145	2007-001113	R-CHIP	680KOHM,5%,1/10W,DA,TP,2012	
R147	2007-000290	R-CHIP	1000HM,5%,1/10W,DA,TP,2012	
R148	2007-000029	R-CHIP	00HM,5%,1/10W,DA,TP,2012	
R150	2007-000290	R-CHIP	1000HM,5%,1/10W,DA,TP,2012	
R151	2007-000290	R-CHIP	1000HM,5%,1/10W,DA,TP,2012	
R152	2007-000290	R-CHIP	1000HM,5%,1/10W,DA,TP,2012	
R153	2007-000290	R-CHIP	1000HM,5%,1/10W,DA,TP,2012	
R154	2007-000290	R-CHIP	1000HM,5%,1/10W,DA,TP,2012	
R155	2007-001166	R-CHIP	750HM,5%,1/10W,DA,TP,2012	
R156	2007-001166	R-CHIP	750HM,5%,1/10W,DA,TP,2012	
R157	2007-001166	R-CHIP	750HM,5%,1/10W,DA,TP,2012	
R158	2007-000029	R-CHIP	00HM,5%,1/10W,DA,TP,2012	
R159	2007-000282	R-CHIP	100KOHM,5%,1/10W,DA,TP,2012	
R160	2007-000300	R-CHIP	10KOHM,5%,1/10W,DA,TP,2012	

Loc. No.	Code No.	Description	Specification	Remarks
R162	2007-000029	R-CHIP	00HM,5%,1/10W,DA,TP,2012	
R164	2007-000029	R-CHIP	00HM,5%,1/10W,DA,TP,2012	
R165	2007-000290	R-CHIP	1000HM,5%,1/10W,DA,TP,2012	
R200	2007-000468	R-CHIP	1KOHM,5%,1/10W,DA,TP,2012	
R204	2007-000290	R-CHIP	1000HM,5%,1/10W,DA,TP,2012	
R205	2007-000290	R-CHIP	1000HM,5%,1/10W,DA,TP,2012	
R206	2007-000290	R-CHIP	1000HM,5%,1/10W,DA,TP,2012	
R207	2007-001166	R-CHIP	750HM,5%,1/10W,DA,TP,2012	
R208	2007-001166	R-CHIP	750HM,5%,1/10W,DA,TP,2012	
R209	2007-001166	R-CHIP	750HM,5%,1/10W,DA,TP,2012	
R210	2007-000282	R-CHIP	100KOHM,5%,1/10W,DA,TP,2012	
R211	2007-000872	R-CHIP	4.7KOHM,5%,1/10W,DA,TP,2012	
R212	2007-000028	R-CHIP	390HM,5%,1/10W,DA,TP,2012	
R213	2007-001166	R-CHIP	750HM,5%,1/10W,DA,TP,2012	
R214	2007-000300	R-CHIP	10KOHM,5%,1/10W,DA,TP,2012	
R215	2007-001166	R-CHIP	750HM,5%,1/10W,DA,TP,2012	
R216	2007-000300	R-CHIP	10KOHM,5%,1/10W,DA,TP,2012	
R217	2007-000029	R-CHIP	00HM,5%,1/10W,DA,TP,2012	
R218	2007-000300	R-CHIP	10KOHM,5%,1/10W,DA,TP,2012	
R219	2007-000029	R-CHIP	00HM,5%,1/10W,DA,TP,2012	
R220	2007-000300	R-CHIP	10KOHM,5%,1/10W,DA,TP,2012	
R221	2007-000029	R-CHIP	00HM,5%,1/10W,DA,TP,2012	
R222	2007-000029	R-CHIP	00HM,5%,1/10W,DA,TP,2012	
R224	2007-000300	R-CHIP	10KOHM,5%,1/10W,DA,TP,2012	
R225	2007-000300	R-CHIP	10KOHM,5%,1/10W,DA,TP,2012	
R226	2007-000300	R-CHIP	10KOHM,5%,1/10W,DA,TP,2012	
R227	2007-000300	R-CHIP	10KOHM,5%,1/10W,DA,TP,2012	
R228	2007-000300	R-CHIP	10KOHM,5%,1/10W,DA,TP,2012	
R229	2007-000029	R-CHIP	00HM,5%,1/10W,DA,TP,2012	
R230	2007-000029	R-CHIP	00HM,5%,1/10W,DA,TP,2012	
R231	2007-000300	R-CHIP	10KOHM,5%,1/10W,DA,TP,2012	
R232	2007-000290	R-CHIP	1000HM,5%,1/10W,DA,TP,2012	
R233	2007-000290	R-CHIP	1000HM,5%,1/10W,DA,TP,2012	
R234	2007-000290	R-CHIP	1000HM,5%,1/10W,DA,TP,2012	
R235	2007-000290	R-CHIP	1000HM,5%,1/10W,DA,TP,2012	
R236	2007-000290	R-CHIP	1000HM,5%,1/10W,DA,TP,2012	
R237	2007-000029	R-CHIP	00HM,5%,1/10W,DA,TP,2012	
R238	2007-000029	R-CHIP	00HM,5%,1/10W,DA,TP,2012	
R240	2007-000593	R-CHIP	220HM,5%,1/10W,DA,TP,2012	
R241	2007-000409	R-CHIP	15KOHM,5%,1/10W,DA,TP,2012	
R242	2007-000468	R-CHIP	1KOHM,5%,1/10W,DA,TP,2012	
R243	2007-000586	R-CHIP	22KOHM,5%,1/10W,DA,TP,2012	
R244	2007-000290	R-CHIP	1000HM,5%,1/10W,DA,TP,2012	
R245	2007-001166	R-CHIP	750HM,5%,1/10W,DA,TP,2012	
R246	2007-000290	R-CHIP	1000HM,5%,1/10W,DA,TP,2012	
R247	2007-000290	R-CHIP	1000HM,5%,1/10W,DA,TP,2012	
R248	2007-000290	R-CHIP	1000HM,5%,1/10W,DA,TP,2012	

7 Electrical Parts List

Loc. No.	Code No.	Description	Specification	Remarks
R249	2007-000290	R-CHIP	1000HM,5%,1/10W,DA,TP,2012	
R250	2007-000290	R-CHIP	1000HM,5%,1/10W,DA,TP,2012	
R251	2007-000290	R-CHIP	1000HM,5%,1/10W,DA,TP,2012	
R252	2007-000290	R-CHIP	1000HM,5%,1/10W,DA,TP,2012	
R253	2007-001166	R-CHIP	750HM,5%,1/10W,DA,TP,2012	
R254	2007-001166	R-CHIP	750HM,5%,1/10W,DA,TP,2012	
R255	2007-001166	R-CHIP	750HM,5%,1/10W,DA,TP,2012	
R256	2007-001166	R-CHIP	750HM,5%,1/10W,DA,TP,2012	
R257	2007-001166	R-CHIP	750HM,5%,1/10W,DA,TP,2012	
R258	2007-001166	R-CHIP	750HM,5%,1/10W,DA,TP,2012	
R259	2007-001166	R-CHIP	750HM,5%,1/10W,DA,TP,2012	
R260	2007-000029	R-CHIP	00HM,5%,1/10W,DA,TP,2012	
R261	2007-000029	R-CHIP	00HM,5%,1/10W,DA,TP,2012	
R262	2007-000029	R-CHIP	00HM,5%,1/10W,DA,TP,2012	
R263	2007-001166	R-CHIP	750HM,5%,1/10W,DA,TP,2012	
R264	2007-001166	R-CHIP	750HM,5%,1/10W,DA,TP,2012	
R265	2007-001166	R-CHIP	750HM,5%,1/10W,DA,TP,2012	
R266	2007-001166	R-CHIP	750HM,5%,1/10W,DA,TP,2012	
R267	2007-001166	R-CHIP	750HM,5%,1/10W,DA,TP,2012	
R268	2007-001166	R-CHIP	750HM,5%,1/10W,DA,TP,2012	
R269	2007-001166	R-CHIP	750HM,5%,1/10W,DA,TP,2012	
R270	2007-000029	R-CHIP	00HM,5%,1/10W,DA,TP,2012	
R271	2007-000029	R-CHIP	00HM,5%,1/10W,DA,TP,2012	
R272	2007-000029	R-CHIP	00HM,5%,1/10W,DA,TP,2012	
R273	2007-000308	R-CHIP	100HM,5%,1/10W,DA,TP,2012	
R274	2007-000300	R-CHIP	10KOHM,5%,1/10W,DA,TP,2012	
R275	2007-000290	R-CHIP	1000HM,5%,1/10W,DA,TP,2012	
R276	2007-000029	R-CHIP	00HM,5%,1/10W,DA,TP,2012	
R277	2007-000409	R-CHIP	15KOHM,5%,1/10W,DA,TP,2012	
R278	2007-000981	R-CHIP	5.6KOHM,5%,1/10W,DA,TP,2012	
R279	2007-001118	R-CHIP	6800HM,5%,1/10W,DA,TP,2012	
R280	2007-000327	R-CHIP	11KOHM,1%,1/10W,DA,TP,2012	
R281	2007-000300	R-CHIP	10KOHM,5%,1/10W,DA,TP,2012	
R282	2007-000380	R-CHIP	13KOHM,5%,1/10W,DA,TP,2012	
R284	2007-000468	R-CHIP	1KOHM,5%,1/10W,DA,TP,2012	
R285	2007-000468	R-CHIP	1KOHM,5%,1/10W,DA,TP,2012	
R286	2007-000931	R-CHIP	4700HM,5%,1/10W,DA,TP,2012	
R287	2007-000931	R-CHIP	4700HM,5%,1/10W,DA,TP,2012	
R288	2007-000290	R-CHIP	1000HM,5%,1/10W,DA,TP,2012	
R289	2007-000290	R-CHIP	1000HM,5%,1/10W,DA,TP,2012	
R290	2007-000290	R-CHIP	1000HM,5%,1/10W,DA,TP,2012	
R291	2007-000290	R-CHIP	1000HM,5%,1/10W,DA,TP,2012	
R292	2007-001213	R-CHIP	820HM,1%,1/10W,DA,TP,2012	
R296	2007-001166	R-CHIP	750HM,5%,1/10W,DA,TP,2012	
R297	2007-000300	R-CHIP	10KOHM,5%,1/10W,DA,TP,2012	
R298	2007-000572	R-CHIP	2200HM,5%,1/10W,DA,TP,2012	
R299	2007-000300	R-CHIP	10KOHM,5%,1/10W,DA,TP,2012	

Loc. No.	Code No.	Description	Specification	Remarks
R300	2007-000300	R-CHIP	10KOHM,5%,1/10W,DA,TP,2012	
R301	2007-000300	R-CHIP	10KOHM,5%,1/10W,DA,TP,2012	
R302	2007-000300	R-CHIP	10KOHM,5%,1/10W,DA,TP,2012	
R303	2007-000029	R-CHIP	00HM,5%,1/10W,DA,TP,2012	
R304	2007-000029	R-CHIP	00HM,5%,1/10W,DA,TP,2012	
R305	2007-000468	R-CHIP	1KOHM,5%,1/10W,DA,TP,2012	
R306	2007-000468	R-CHIP	1KOHM,5%,1/10W,DA,TP,2012	
R309	2007-000593	R-CHIP	220HM,5%,1/10W,DA,TP,2012	
R310	2007-000029	R-CHIP	00HM,5%,1/10W,DA,TP,2012	
R311	2007-000593	R-CHIP	220HM,5%,1/10W,DA,TP,2012	
R312	2007-000029	R-CHIP	00HM,5%,1/10W,DA,TP,2012	
R313	2007-000029	R-CHIP	00HM,5%,1/10W,DA,TP,2012	
R314	2007-000290	R-CHIP	1000HM,5%,1/10W,DA,TP,2012	
R315	2007-000468	R-CHIP	1KOHM,5%,1/10W,DA,TP,2012	
R316	2007-000290	R-CHIP	1000HM,5%,1/10W,DA,TP,2012	
R317	2007-000947	R-CHIP	470HM,5%,1/10W,DA,TP,2012	
R318	2007-000468	R-CHIP	1KOHM,5%,1/10W,DA,TP,2012	
R319	2007-000290	R-CHIP	1000HM,5%,1/10W,DA,TP,2012	
R320	2007-000290	R-CHIP	1000HM,5%,1/10W,DA,TP,2012	
R321	2007-000290	R-CHIP	1000HM,5%,1/10W,DA,TP,2012	
R322	2007-000290	R-CHIP	1000HM,5%,1/10W,DA,TP,2012	
R323	2007-000290	R-CHIP	1000HM,5%,1/10W,DA,TP,2012	
R324	2007-000290	R-CHIP	1000HM,5%,1/10W,DA,TP,2012	
R325	2007-000290	R-CHIP	1000HM,5%,1/10W,DA,TP,2012	
R326	2007-000290	R-CHIP	1000HM,5%,1/10W,DA,TP,2012	
R327	2007-000290	R-CHIP	1000HM,5%,1/10W,DA,TP,2012	
R328	2007-000290	R-CHIP	1000HM,5%,1/10W,DA,TP,2012	
R329	2007-000290	R-CHIP	1000HM,5%,1/10W,DA,TP,2012	
R330	2007-000290	R-CHIP	1000HM,5%,1/10W,DA,TP,2012	
R331	2007-000290	R-CHIP	1000HM,5%,1/10W,DA,TP,2012	
R332	2007-000290	R-CHIP	1000HM,5%,1/10W,DA,TP,2012	
R333	2007-000290	R-CHIP	1000HM,5%,1/10W,DA,TP,2012	
R334	2007-000290	R-CHIP	1000HM,5%,1/10W,DA,TP,2012	
R335	2007-000290	R-CHIP	1000HM,5%,1/10W,DA,TP,2012	
R336	2007-000290	R-CHIP	1000HM,5%,1/10W,DA,TP,2012	
R337	2007-000290	R-CHIP	1000HM,5%,1/10W,DA,TP,2012	
R338	2007-000290	R-CHIP	1000HM,5%,1/10W,DA,TP,2012	
R339	2007-000290	R-CHIP	1000HM,5%,1/10W,DA,TP,2012	
R340	2007-000290	R-CHIP	1000HM,5%,1/10W,DA,TP,2012	
R341	2007-000290	R-CHIP	1000HM,5%,1/10W,DA,TP,2012	
R342	2007-000290	R-CHIP	1000HM,5%,1/10W,DA,TP,2012	
R343	2007-000290	R-CHIP	1000HM,5%,1/10W,DA,TP,2012	
R344	2007-000290	R-CHIP	1000HM,5%,1/10W,DA,TP,2012	
R345	2007-000290	R-CHIP	1000HM,5%,1/10W,DA,TP,2012	
R346	2007-000290	R-CHIP	1000HM,5%,1/10W,DA,TP,2012	
R347	2007-000290	R-CHIP	1000HM,5%,1/10W,DA,TP,2012	
R348	2007-000290	R-CHIP	1000HM,5%,1/10W,DA,TP,2012	

7 Electrical Parts List

Loc. No.	Code No.	Description	Specification	Remarks
R349	2007-000290	R-CHIP	1000HM,5%,1/10W,DA,TP,2012	
R350	2007-000290	R-CHIP	1000HM,5%,1/10W,DA,TP,2012	
R351	2007-000290	R-CHIP	1000HM,5%,1/10W,DA,TP,2012	
R352	2007-000290	R-CHIP	1000HM,5%,1/10W,DA,TP,2012	
R353	2007-000290	R-CHIP	1000HM,5%,1/10W,DA,TP,2012	
R354	2007-000290	R-CHIP	1000HM,5%,1/10W,DA,TP,2012	
R355	2007-000290	R-CHIP	1000HM,5%,1/10W,DA,TP,2012	
R356	2007-000290	R-CHIP	1000HM,5%,1/10W,DA,TP,2012	
R357	2007-000290	R-CHIP	1000HM,5%,1/10W,DA,TP,2012	
R358	2007-000290	R-CHIP	1000HM,5%,1/10W,DA,TP,2012	
R359	2007-000290	R-CHIP	1000HM,5%,1/10W,DA,TP,2012	
R360	2007-000290	R-CHIP	1000HM,5%,1/10W,DA,TP,2012	
R361	2007-000282	R-CHIP	100KOHM,5%,1/10W,DA,TP,2012	
R362	2007-000300	R-CHIP	10KOHM,5%,1/10W,DA,TP,2012	
R363	2007-000300	R-CHIP	10KOHM,5%,1/10W,DA,TP,2012	
R364	2007-000300	R-CHIP	10KOHM,5%,1/10W,DA,TP,2012	
R365	2007-000029	R-CHIP	00HM,5%,1/10W,DA,TP,2012	
R402	2007-000029	R-CHIP	00HM,5%,1/10W,DA,TP,2012	
R405	2007-000686	R-CHIP	3.3KOHM,5%,1/10W,DA,TP,2012	
R407	2007-000766	R-CHIP	3300HM,5%,1/10W,DA,TP,2012	
R409	2007-000766	R-CHIP	3300HM,5%,1/10W,DA,TP,2012	
R410	2007-000931	R-CHIP	4700HM,5%,1/10W,DA,TP,2012	
R411	2007-000468	R-CHIP	1KOHM,5%,1/10W,DA,TP,2012	
R412	2007-000931	R-CHIP	4700HM,5%,1/10W,DA,TP,2012	
R413	2007-000468	R-CHIP	1KOHM,5%,1/10W,DA,TP,2012	
R414	2007-000766	R-CHIP	3300HM,5%,1/10W,DA,TP,2012	
R415	2007-000468	R-CHIP	1KOHM,5%,1/10W,DA,TP,2012	
R416	2007-000468	R-CHIP	1KOHM,5%,1/10W,DA,TP,2012	
R418	2007-000593	R-CHIP	220HM,5%,1/10W,DA,TP,2012	
R419	2007-000593	R-CHIP	220HM,5%,1/10W,DA,TP,2012	
R421	2007-000872	R-CHIP	4.7KOHM,5%,1/10W,DA,TP,2012	
R425	2007-000290	R-CHIP	1000HM,5%,1/10W,DA,TP,2012	
R426	2007-000290	R-CHIP	1000HM,5%,1/10W,DA,TP,2012	
R429	2007-000290	R-CHIP	1000HM,5%,1/10W,DA,TP,2012	
R430	2007-000290	R-CHIP	1000HM,5%,1/10W,DA,TP,2012	
R431	2007-000290	R-CHIP	1000HM,5%,1/10W,DA,TP,2012	
R432	2007-000290	R-CHIP	1000HM,5%,1/10W,DA,TP,2012	
R433	2007-000290	R-CHIP	1000HM,5%,1/10W,DA,TP,2012	
R434	2007-000290	R-CHIP	1000HM,5%,1/10W,DA,TP,2012	
R435	2007-000766	R-CHIP	3300HM,5%,1/10W,DA,TP,2012	
R436	2007-000468	R-CHIP	1KOHM,5%,1/10W,DA,TP,2012	
R437	2007-000300	R-CHIP	10KOHM,5%,1/10W,DA,TP,2012	
R438	2007-000300	R-CHIP	10KOHM,5%,1/10W,DA,TP,2012	
R439	2007-000300	R-CHIP	10KOHM,5%,1/10W,DA,TP,2012	
R442	2007-000766	R-CHIP	3300HM,5%,1/10W,DA,TP,2012	
R443	2007-000766	R-CHIP	3300HM,5%,1/10W,DA,TP,2012	
R444	2007-000766	R-CHIP	3300HM,5%,1/10W,DA,TP,2012	

Loc. No.	Code No.	Description	Specification	Remarks
R445	2007-000931	R-CHIP	4700HM,5%,1/10W,DA,TP,2012	
R446	2007-000931	R-CHIP	4700HM,5%,1/10W,DA,TP,2012	
R447	2007-000766	R-CHIP	3300HM,5%,1/10W,DA,TP,2012	
R448	2007-000468	R-CHIP	1KOHM,5%,1/10W,DA,TP,2012	
R500	2007-000300	R-CHIP	10KOHM,5%,1/10W,DA,TP,2012	
R501	2007-000300	R-CHIP	10KOHM,5%,1/10W,DA,TP,2012	
R502	2007-000300	R-CHIP	10KOHM,5%,1/10W,DA,TP,2012	
R510	2007-000290	R-CHIP	1000HM,5%,1/10W,DA,TP,2012	
R511	2007-000029	R-CHIP	00HM,5%,1/10W,DA,TP,2012	
R512	2007-000947	R-CHIP	470HM,5%,1/10W,DA,TP,2012	
R513	2007-000290	R-CHIP	1000HM,5%,1/10W,DA,TP,2012	
R516	2007-000300	R-CHIP	10KOHM,5%,1/10W,DA,TP,2012	
R517	2007-000872	R-CHIP	4.7KOHM,5%,1/10W,DA,TP,2012	
R601	2007-000300	R-CHIP	10KOHM,5%,1/10W,DA,TP,2012	
R602	2007-000029	R-CHIP	00HM,5%,1/10W,DA,TP,2012	
R603	2007-000300	R-CHIP	10KOHM,5%,1/10W,DA,TP,2012	
R604	2007-001118	R-CHIP	6800HM,5%,1/10W,DA,TP,2012	
R626	2007-000029	R-CHIP	00HM,5%,1/10W,DA,TP,2012	
R627	2007-000029	R-CHIP	00HM,5%,1/10W,DA,TP,2012	
R628	2007-000029	R-CHIP	00HM,5%,1/10W,DA,TP,2012	
R629	2007-000029	R-CHIP	00HM,5%,1/10W,DA,TP,2012	
R630	2007-000029	R-CHIP	00HM,5%,1/10W,DA,TP,2012	
R900	2007-000290	R-CHIP	1000HM,5%,1/10W,DA,TP,2012	
R902	2007-000572	R-CHIP	2200HM,5%,1/10W,DA,TP,2012	
R903	2007-000355	R-CHIP	12KOHM,5%,1/10W,DA,TP,2012	
R904	2007-000355	R-CHIP	12KOHM,5%,1/10W,DA,TP,2012	
R905	2007-000304	R-CHIP	10MOHM,5%,1/10W,DA,TP,2012	
R907	2007-000872	R-CHIP	4.7KOHM,5%,1/10W,DA,TP,2012	
R908	2007-000029	R-CHIP	00HM,5%,1/10W,DA,TP,2012	
R909	2007-001166	R-CHIP	750HM,5%,1/10W,DA,TP,2012	
R910	2007-000290	R-CHIP	1000HM,5%,1/10W,DA,TP,2012	
R911	2007-000029	R-CHIP	00HM,5%,1/10W,DA,TP,2012	
R912	2007-000290	R-CHIP	1000HM,5%,1/10W,DA,TP,2012	
R913	2007-000029	R-CHIP	00HM,5%,1/10W,DA,TP,2012	
R914	2007-000029	R-CHIP	00HM,5%,1/10W,DA,TP,2012	
R915	2007-000029	R-CHIP	00HM,5%,1/10W,DA,TP,2012	
R916	2007-001166	R-CHIP	750HM,5%,1/10W,DA,TP,2012	
R917	2007-001166	R-CHIP	750HM,5%,1/10W,DA,TP,2012	
R918	2007-000290	R-CHIP	1000HM,5%,1/10W,DA,TP,2012	
R919	2007-000290	R-CHIP	1000HM,5%,1/10W,DA,TP,2012	
R920	2007-000290	R-CHIP	1000HM,5%,1/10W,DA,TP,2012	
R921	2007-000029	R-CHIP	00HM,5%,1/10W,DA,TP,2012	
R922	2007-000290	R-CHIP	1000HM,5%,1/10W,DA,TP,2012	
R923	2007-000029	R-CHIP	00HM,5%,1/10W,DA,TP,2012	
R924	2007-000290	R-CHIP	1000HM,5%,1/10W,DA,TP,2012	
R925	2007-000290	R-CHIP	1000HM,5%,1/10W,DA,TP,2012	
R927	2007-001166	R-CHIP	750HM,5%,1/10W,DA,TP,2012	

7 Electrical Parts List

Loc. No.	Code No.	Description	Specification	Remarks
R928	2007-000029	R-CHIP	00HM,5%,1/10W,DA,TP,2012	
R929	2007-000029	R-CHIP	00HM,5%,1/10W,DA,TP,2012	
R930	2007-000029	R-CHIP	00HM,5%,1/10W,DA,TP,2012	
R931	2007-000029	R-CHIP	00HM,5%,1/10W,DA,TP,2012	
R932	2007-000029	R-CHIP	00HM,5%,1/10W,DA,TP,2012	
R933	2007-000029	R-CHIP	00HM,5%,1/10W,DA,TP,2012	
R934	2007-000029	R-CHIP	00HM,5%,1/10W,DA,TP,2012	
R935	2007-000029	R-CHIP	00HM,5%,1/10W,DA,TP,2012	
RA213	2011-000585	R-NETWORK	47ohm,5%,63mW,L,CHIP,8P,TP	
RA214	2011-000585	R-NETWORK	47ohm,5%,63mW,L,CHIP,8P,TP	
RA215	2011-000585	R-NETWORK	47ohm,5%,63mW,L,CHIP,8P,TP	
RA216	2011-000585	R-NETWORK	47ohm,5%,63mW,L,CHIP,8P,TP	
RA217	2011-000002	R-NETWORK	22ohm,5%,63mW,L,CHIP,8P,TP	
RA218	2011-000002	R-NETWORK	22ohm,5%,63mW,L,CHIP,8P,TP	
RA219	2011-000002	R-NETWORK	22ohm,5%,63mW,L,CHIP,8P,TP	
RA220	2011-000002	R-NETWORK	22ohm,5%,63mW,L,CHIP,8P,TP	
RA301	2011-000585	R-NETWORK	47ohm,5%,63mW,L,CHIP,8P,TP	
RA302	2011-000585	R-NETWORK	47ohm,5%,63mW,L,CHIP,8P,TP	
RA303	2011-000585	R-NETWORK	47ohm,5%,63mW,L,CHIP,8P,TP	
RA304	2011-000585	R-NETWORK	47ohm,5%,63mW,L,CHIP,8P,TP	
RA305	2011-000585	R-NETWORK	47ohm,5%,63mW,L,CHIP,8P,TP	
RA306	2011-000585	R-NETWORK	47ohm,5%,63mW,L,CHIP,8P,TP	
RA307	2011-000585	R-NETWORK	47ohm,5%,63mW,L,CHIP,8P,TP	
RA308	2011-000585	R-NETWORK	47ohm,5%,63mW,L,CHIP,8P,TP	
RA309	2011-000585	R-NETWORK	47ohm,5%,63mW,L,CHIP,8P,TP	
RA310	2011-000585	R-NETWORK	47ohm,5%,63mW,L,CHIP,8P,TP	
RA311	2011-000585	R-NETWORK	47ohm,5%,63mW,L,CHIP,8P,TP	
RA312	2011-000585	R-NETWORK	47ohm,5%,63mW,L,CHIP,8P,TP	
X141	2801-003876	CRYSTAL-SMD	25.4MHz,30ppm,28-AAN,20pF,50	
X200	2801-003846	CRYSTAL-SMD	20.25MHz,30ppm,28-AAN,20pF,5	

7-2 Misc PCB Parts

Loc. No.	Code No.	Description	Specification	Remarks
C700	2203-000204	C-CERAMIC,CHIP	100nF,10%,25V,X7R,TP,2012	
C701	2402-000176	C-AL,SMD	10uF,20%,16V,GP,TP,4.3x4.3x5.4	
C702	2402-001042	C-AL,SMD	100uF,20%,16V,GP,TP,6.6x6.6x5.	
C703	2203-000204	C-CERAMIC,CHIP	100nF,10%,25V,X7R,TP,2012	
C704	2203-000455	C-CERAMIC,CHIP	1nF,5%,50V,NP0,TP,2012	
C705	2203-000260	C-CERAMIC,CHIP	10nF,10%,50V,X7R,TP,2012	
C706	2203-000455	C-CERAMIC,CHIP	1nF,5%,50V,NP0,TP,2012	
C707	2402-001019	C-AL,SMD	2.2uF,20%,35V,GP,TP,3.3x3.3x5.	
C708	2203-002392	C-CERAMIC,CHIP	220nF,+80-20%,50V,Y5V,TP	
C709	2402-001019	C-AL,SMD	2.2uF,20%,35V,GP,TP,3.3x3.3x5.	
C710	2402-001086	C-AL,SMD	100UF,20%,16V,WT,TP,6.6X6.6X5.3	
C711	2402-000135	C-AL,SMD	22uF,20%,16V,GP,TP,5.3x5.3x5.4	
C712	2203-000260	C-CERAMIC,CHIP	10nF,10%,50V,X7R,TP,2012	
C713	2203-000204	C-CERAMIC,CHIP	100nF,10%,25V,X7R,TP,2012	
C714	2203-000260	C-CERAMIC,CHIP	10nF,10%,50V,X7R,TP,2012	
C715	2203-000204	C-CERAMIC,CHIP	100nF,10%,25V,X7R,TP,2012	
C716	2402-000173	C-AL,SMD	4.7uF,20%,35V,GP,TP,4.3x4.3x5.	
C717	2203-000204	C-CERAMIC,CHIP	100nF,10%,25V,X7R,TP,2012	
C718	2402-000170	C-AL,SMD	1uF,20%,50V,GP,TP,4.3x4.3x5.4	
C719	2203-000204	C-CERAMIC,CHIP	100nF,10%,25V,X7R,TP,2012	
C720	2402-000176	C-AL,SMD	10uF,20%,16V,GP,TP,4.3x4.3x5.4	
C800	2203-002442	C-CERAMIC,CHIP	330nF,+80-20%,25V,Y5V,TP	
C801	2203-002442	C-CERAMIC,CHIP	330nF,+80-20%,25V,Y5V,TP	
C802	2203-000784	C-CERAMIC,CHIP	0.33nF,5%,50V,NP0,TP,2012	
C803	2203-000784	C-CERAMIC,CHIP	0.33nF,5%,50V,NP0,TP,2012	
C804	2203-002442	C-CERAMIC,CHIP	330nF,+80-20%,25V,Y5V,TP	
C805	2203-000784	C-CERAMIC,CHIP	0.33nF,5%,50V,NP0,TP,2012	
C806	2203-000784	C-CERAMIC,CHIP	0.33nF,5%,50V,NP0,TP,2012	
C807	2203-002442	C-CERAMIC,CHIP	330nF,+80-20%,25V,Y5V,TP	
C808	2203-000204	C-CERAMIC,CHIP	100nF,10%,25V,X7R,TP,2012	
C809	2402-000144	C-AL,SMD	3.3uF,20%,50V,GP,TP,4.3x4.3x5.	
C810	2203-000784	C-CERAMIC,CHIP	0.33nF,5%,50V,NP0,TP,2012	
C811	2203-002442	C-CERAMIC,CHIP	330nF,+80-20%,25V,Y5V,TP	
C812	2203-000204	C-CERAMIC,CHIP	100nF,10%,25V,X7R,TP,2012	
C813	2402-000176	C-AL,SMD	10uF,20%,16V,GP,TP,4.3x4.3x5.4	
C814	2203-001077	C-CERAMIC,CHIP	0.056nF,5%,50V,NP0,TP,201	
C815	2203-000938	C-CERAMIC,CHIP	0.47nF,5%,50V,NP0,TP,2012	
C816	2402-000176	C-AL,SMD	10uF,20%,16V,GP,TP,4.3x4.3x5.4	
C817	2203-000142	C-CERAMIC,CHIP	1.5nF,10%,50V,X7R,TP,2012	
C818	2203-001077	C-CERAMIC,CHIP	0.056nF,5%,50V,NP0,TP,201	
C819	2203-001077	C-CERAMIC,CHIP	0.056nF,5%,50V,NP0,TP,201	
C820	2401-001363	C-AL	470uF,20%,16V,GP,TP,10x12.5,5	
C821	2203-001391	C-CERAMIC,CHIP	150nF,10%,25V,X7R,TP,2012	
C822	2402-000176	C-AL,SMD	10uF,20%,16V,GP,TP,4.3x4.3x5.4	
C823	2203-000938	C-CERAMIC,CHIP	0.47nF,5%,50V,NP0,TP,2012	
C824	2203-000142	C-CERAMIC,CHIP	1.5nF,10%,50V,X7R,TP,2012	
C825	2402-000176	C-AL,SMD	10uF,20%,16V,GP,TP,4.3x4.3x5.4	

7 Electrical Parts List

Loc. No.	Code No.	Description	Specification	Remarks
C826	2402-001086	C-AL,SMD	100UF,20%,16V,WT,TP,6.6X6.6X5.3	
C828	2203-000204	C-CERAMIC,CHIP	100nF,10%,25V,X7R,TP,2012	
C829	2402-000176	C-AL,SMD	10uF,20%,16V,GP,TP,4.3x4.3x5.4	
C830	2402-000135	C-AL,SMD	22uF,20%,16V,GP,TP,5.3x5.3x5.4	
C831	2203-000938	C-CERAMIC,CHIP	0.47nF,5%,50V,NP0,TP,2012	
C832	2402-000135	C-AL,SMD	22uF,20%,16V,GP,TP,5.3x5.3x5.4	
C834	2203-000938	C-CERAMIC,CHIP	0.47nF,5%,50V,NP0,TP,2012	
C835	2402-001086	C-AL,SMD	100UF,20%,16V,WT,TP,6.6X6.6X5.3	
C836	2401-001363	C-AL	470uF,20%,16V,GP,TP,10x12.5.5	
C837	2203-001391	C-CERAMIC,CHIP	150nF,10%,25V,X7R,TP,2012	
C838	2402-000170	C-AL,SMD	1uF,20%,50V,GP,TP,4.3x4.3x5.4	
C839	2203-000716	C-CERAMIC,CHIP	3.3nF,10%,50V,X7R,TP,2012	
C840	2203-000701	C-CERAMIC,CHIP	0.002nF,0.25pF,50V,NP0,TP	
C841	2203-000701	C-CERAMIC,CHIP	0.002nF,0.25pF,50V,NP0,TP	
C842	2203-000455	C-CERAMIC,CHIP	1nF,5%,50V,NP0,TP,2012	
C843	2203-000455	C-CERAMIC,CHIP	1nF,5%,50V,NP0,TP,2012	
C844	2305-000196	C-FILM,MPEF	150nF,5%,63V,TP,5mm	
C845	2203-000142	C-CERAMIC,CHIP	1.5nF,10%,50V,X7R,TP,2012	
C846	2203-000595	C-CERAMIC,CHIP	0.22nF,5%,50V,NP0,TP,2012	
C847	2203-000989	C-CERAMIC,CHIP	47nF,10%,50V,X7R,TP,2012	
C848	2203-000938	C-CERAMIC,CHIP	0.47nF,5%,50V,NP0,TP,2012	
C849	2402-000176	C-AL,SMD	10uF,20%,16V,GP,TP,4.3x4.3x5.4	
C852	2305-000196	C-FILM,MPEF	150nF,5%,63V,TP,5mm	
C853	2203-000716	C-CERAMIC,CHIP	3.3nF,10%,50V,X7R,TP,2012	
C854	2402-000176	C-AL,SMD	10uF,20%,16V,GP,TP,4.3x4.3x5.4	
C855	2203-000716	C-CERAMIC,CHIP	3.3nF,10%,50V,X7R,TP,2012	
C857	2203-002442	C-CERAMIC,CHIP	330nF,+80-20%,25V,Y5V,TP	
C862	2203-000204	C-CERAMIC,CHIP	100nF,10%,25V,X7R,TP,2012	
C863	2203-000204	C-CERAMIC,CHIP	100nF,10%,25V,X7R,TP,2012	
C864	2402-000108	C-AL,SMD	10uF,20%,16V,WT,TP,4.3x4.3x5.4	
C865	2203-000204	C-CERAMIC,CHIP	100nF,10%,25V,X7R,TP,2012	
C866	2402-000108	C-AL,SMD	10uF,20%,16V,WT,TP,4.3x4.3x5.4	
C867	2203-000204	C-CERAMIC,CHIP	100nF,10%,25V,X7R,TP,2012	
C868	2203-000204	C-CERAMIC,CHIP	100nF,10%,25V,X7R,TP,2012	
C869	2402-000176	C-AL,SMD	10uF,20%,16V,GP,TP,4.3x4.3x5.4	
C870	2402-000108	C-AL,SMD	10uF,20%,16V,WT,TP,4.3x4.3x5.4	
C871	2203-000204	C-CERAMIC,CHIP	100nF,10%,25V,X7R,TP,2012	
CIS	BN70-00073A	SHIELD-TUNER	ML15NS,SPT,TO.5	
CIS	BN70-00074A	SHIELD-IF	ML15NS,SPT,TO.5	
CN706	BN40-00001A	RF-MODULATOR	TECC9092PD27A(S),PALB/G	
CN707	BN39-00069A	CABLE-RCACOAXIAL	170MM,-,UL10245,RCA	
CN800	3722-001055	JACK-PHONE	5P/2C,3.6mm,AG,BLK,#16-22	
CN801	3722-001177	JACK-PIN	1P,3.4mm,SN,RED,#16-22	
CN802	3722-001176	JACK-PIN	1P,3.4mm,SN,WHT,#16-22	
CN803	3711-004386	CONNECTOR-HEADER	BOX,3P,1R,2mm,ANGLE,SN	
CN804	3722-001055	JACK-PHONE	5P/2C,3.6mm,AG,BLK,#16-22	
CN805	3711-004270	CONNECTOR-HEADER	BOX,2P,1R,2MM,ANGLE,SN	

Loc. No.	Code No.	Description	Specification	Remarks
CN806	3722-000143	JACK-PHONE	1P(VER),3.4mm,AG,BLK,NO	
CN807	3711-002046	CONNECTOR-HEADER	3WALL,12P,1R,1.25mm,SMD	
D700	0401-001056	DIODE-SWITCHING	MMBD4148SE,75V,600mA,SOT	
D701	0401-001056	DIODE-SWITCHING	MMBD4148SE,75V,600mA,SOT	
D702	0401-001056	DIODE-SWITCHING	MMBD4148SE,75V,600mA,SOT	
D703	0401-001056	DIODE-SWITCHING	MMBD4148SE,75V,600mA,SOT	
D704	0401-001056	DIODE-SWITCHING	MMBD4148SE,75V,600mA,SOT	
D800	0403-001052	DIODE-ZENER	RD8.2MB,8.2V,7.7-8.64V,200mW	
D801	0403-001052	DIODE-ZENER	RD8.2MB,8.2V,7.7-8.64V,200mW	
D802	0403-001052	DIODE-ZENER	RD8.2MB,8.2V,7.7-8.64V,200mW	
D803	0403-001052	DIODE-ZENER	RD8.2MB,8.2V,7.7-8.64V,200mW	
D804	0403-001052	DIODE-ZENER	RD8.2MB,8.2V,7.7-8.64V,200mW	
D805	0403-001052	DIODE-ZENER	RD8.2MB,8.2V,7.7-8.64V,200mW	
D806	0403-000277	DIODE-ZENER	MMBZ5226B,3.3V,5%,225mW,SOT	
D808	0403-001052	DIODE-ZENER	RD8.2MB,8.2V,7.7-8.64V,200mW	
D809	0403-001052	DIODE-ZENER	RD8.2MB,8.2V,7.7-8.64V,200mW	
FT700	2903-000181	FILTER-CERAMIC	TR,5.5MHz,-,TP,TPS5.5	
FT701	2903-000129	FILTER-CERAMIC	TR,4.5M/4.72MHZ,TP	
IC700	2904-001203	FILTER-SAWAV	38.9MHz,SIP5K,ST,16.9dB,B/G	
IC701	2904-001143	FILTER-SAWAV	38.9MHz,SIP5K,TP,18dB,B/G,L	
IC702	2904-001195	FILTER-SAWAV	38.9MHz,SIP5K,TP,17.9dB,B/G	
IC703	1204-001161	IC-IFCIRCUIT	TDA9810T,SOP,24P,300MIL,PLA	
IC704	1002-001185	IC-D/A CONVERTER	TDA8444T,6BIT,SOP,16P,30	
IC800	1201-001201	IC-POWERAMP	7268,DIP,16P,335MIL,DUAL,32d	
IC801	1204-001567	IC-SOUNDPROCESSOR	MSP3440G,QFP,80P,PLA	
IC803	1203-001488	IC-POSI.FIXEDREG.	7805,TO-252,3P,PLAS	
IC804	1203-001488	IC-POSI.FIXEDREG.	7805,TO-252,3P,PLAS	
IC805	1203-001816	IC-POSI.FIXEDREG.	78M08,TO-252,3P,PLAS	
IC806	1203-001815	IC-POSI.FIXEDREG.	78M09,TO-252,3P,PLAS	
L700	2703-001778	INDUCTOR-SMD	3.3UH,20%,3.2X2.5X2.2MM	
L701	2701-000101	INDUCTOR-AXIAL	1.2uH,10%,2.5x3.4mm	
L702	2703-001778	INDUCTOR-SMD	3.3UH,20%,3.2X2.5X2.2MM	
L703	2701-000114	INDUCTOR-AXIAL	10uH,10%,2.5x3.4mm	
L704	2703-001778	INDUCTOR-SMD	3.3UH,20%,3.2X2.5X2.2MM	
L705	2701-000114	INDUCTOR-AXIAL	10uH,10%,2.5x3.4mm	
L706	2703-001778	INDUCTOR-SMD	3.3UH,20%,3.2X2.5X2.2MM	
L707	2701-000120	INDUCTOR-AXIAL	12uH,10%,2.5x3.4mm	
L708	2703-001778	INDUCTOR-SMD	3.3UH,20%,3.2X2.5X2.2MM	
L709	2701-000299	INDUCTOR-AXIAL	13UH,10%,2.5X3.4MM	
L800	2703-001778	INDUCTOR-SMD	3.3UH,20%,3.2X2.5X2.2MM	
L801	2703-001778	INDUCTOR-SMD	3.3UH,20%,3.2X2.5X2.2MM	
L802	2703-001778	INDUCTOR-SMD	3.3UH,20%,3.2X2.5X2.2MM	
L803	2703-001778	INDUCTOR-SMD	3.3UH,20%,3.2X2.5X2.2MM	
MP1.0	BN41-00025A	PCB-SUB	ML17NS,FR-4,1.6	
Q700	0501-002080	TR-SMALLSIGNAL	2SC2412K,NPN,200mW,SOT-2	
Q701	0501-002080	TR-SMALLSIGNAL	2SC2412K,NPN,200mW,SOT-2	
Q702	0501-002080	TR-SMALLSIGNAL	2SC2412K,NPN,200mW,SOT-2	

7 Electrical Parts List

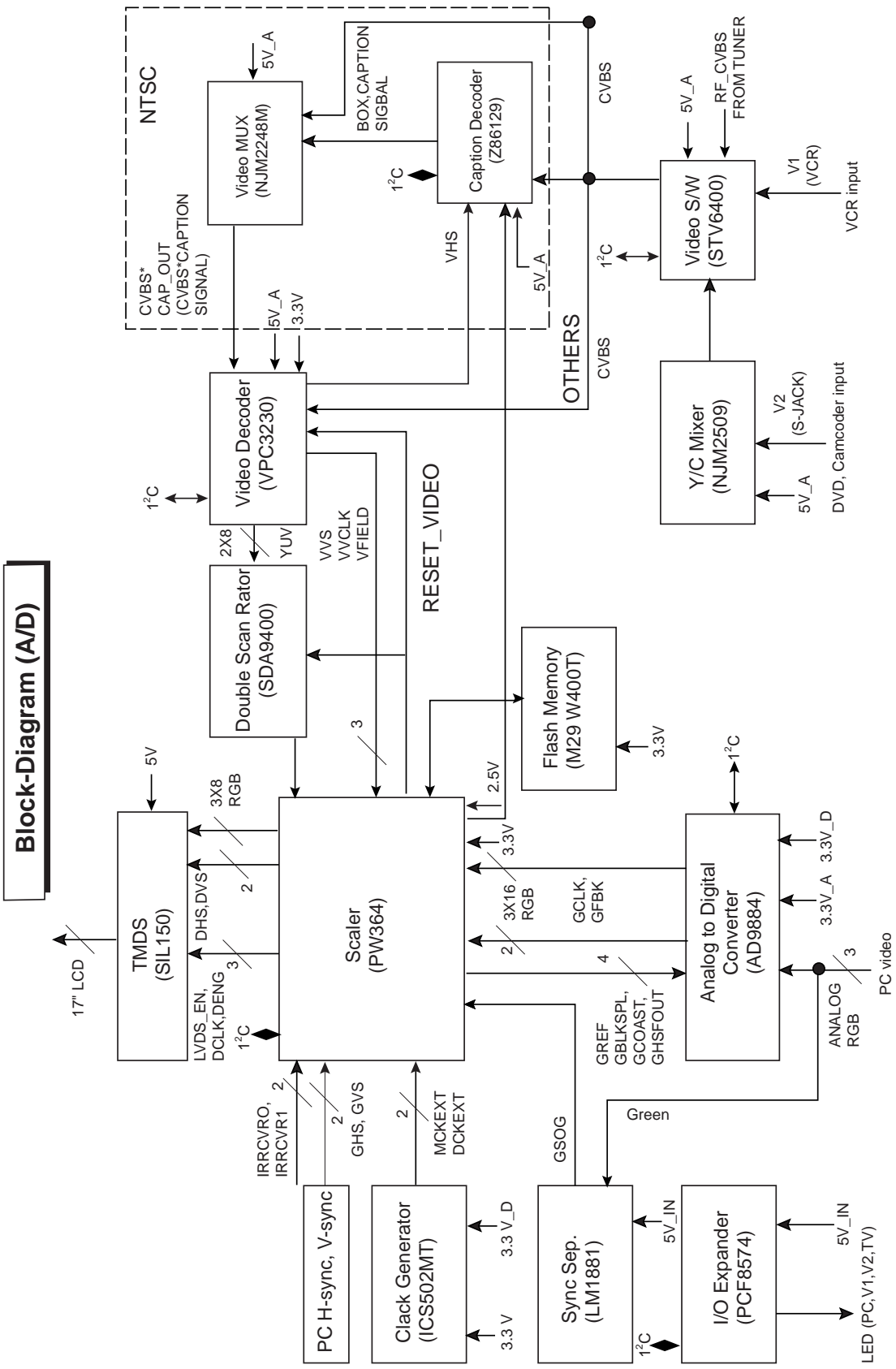
Loc. No.	Code No.	Description	Specification	Remarks
Q703	0501-002080	TR-SMALLSIGNAL	2SC2412K,NPN,200mW,SOT-2	
Q704	0501-002080	TR-SMALLSIGNAL	2SC2412K,NPN,200mW,SOT-2	
Q705	0501-002080	TR-SMALLSIGNAL	2SC2412K,NPN,200mW,SOT-2	
Q706	0501-002080	TR-SMALLSIGNAL	2SC2412K,NPN,200mW,SOT-2	
Q707	0501-002080	TR-SMALLSIGNAL	2SC2412K,NPN,200mW,SOT-2	
Q708	0501-002080	TR-SMALLSIGNAL	2SC2412K,NPN,200mW,SOT-2	
Q709	0501-000002	TR-SMALLSIGNAL	KSA812,PNP,150mW,SOT-23,T	
Q801	0501-002080	TR-SMALLSIGNAL	2SC2412K,NPN,200mW,SOT-2	
R700	2007-000241	R-CHIP	1.5KOHM,5%,1/10W,DA,TP,2012	
R701	2007-000241	R-CHIP	1.5KOHM,5%,1/10W,DA,TP,2012	
R702	2007-000241	R-CHIP	1.5KOHM,5%,1/10W,DA,TP,2012	
R703	2007-000493	R-CHIP	2.2KOHM,5%,1/10W,DA,TP,2012	
R704	2007-000300	R-CHIP	10KOHM,5%,1/10W,DA,TP,2012	
R705	2007-000300	R-CHIP	10KOHM,5%,1/10W,DA,TP,2012	
R706	2007-000300	R-CHIP	10KOHM,5%,1/10W,DA,TP,2012	
R707	2007-000586	R-CHIP	22KOHM,5%,1/10W,DA,TP,2012	
R708	2007-000300	R-CHIP	10KOHM,5%,1/10W,DA,TP,2012	
R709	2007-000030	R-CHIP	5600HM,5%,1/10W,DA,TP,2012	
R710	2007-000401	R-CHIP	1500HM,5%,1/10W,DA,TP,2012	
R711	2007-000493	R-CHIP	2.2KOHM,5%,1/10W,DA,TP,2012	
R712	2007-000300	R-CHIP	10KOHM,5%,1/10W,DA,TP,2012	
R713	2007-000355	R-CHIP	12KOHM,5%,1/10W,DA,TP,2012	
R714	2007-001039	R-CHIP	56KOHM,5%,1/10W,DA,TP,2012	
R715	2007-000493	R-CHIP	2.2KOHM,5%,1/10W,DA,TP,2012	
R716	2007-000941	R-CHIP	47KOHM,5%,1/10W,DA,TP,2012	
R717	2007-000931	R-CHIP	4700HM,5%,1/10W,DA,TP,2012	
R718	2007-000586	R-CHIP	22KOHM,5%,1/10W,DA,TP,2012	
R719	2007-000872	R-CHIP	4.7KOHM,5%,1/10W,DA,TP,2012	
R721	2007-000300	R-CHIP	10KOHM,5%,1/10W,DA,TP,2012	
R722	2007-000029	R-CHIP	00HM,5%,1/10W,DA,TP,2012	
R723	2007-000468	R-CHIP	1KOHM,5%,1/10W,DA,TP,2012	
R724	2007-000586	R-CHIP	22KOHM,5%,1/10W,DA,TP,2012	
R725	2007-000300	R-CHIP	10KOHM,5%,1/10W,DA,TP,2012	
R726	2007-000355	R-CHIP	12KOHM,5%,1/10W,DA,TP,2012	
R727	2007-000029	R-CHIP	00HM,5%,1/10W,DA,TP,2012	
R728	2007-000327	R-CHIP	11KOHM,1%,1/10W,DA,TP,2012	
R729	2007-000029	R-CHIP	00HM,5%,1/10W,DA,TP,2012	
R730	2007-000026	R-CHIP	2000HM,5%,1/10W,DA,TP,2012	
R731	2007-000947	R-CHIP	470HM,5%,1/10W,DA,TP,2012	
R732	2007-000572	R-CHIP	2200HM,5%,1/10W,DA,TP,2012	
R733	2007-000300	R-CHIP	10KOHM,5%,1/10W,DA,TP,2012	
R734	2007-000300	R-CHIP	10KOHM,5%,1/10W,DA,TP,2012	
R735	2007-000642	R-CHIP	2700HM,5%,1/10W,DA,TP,2012	
R736	2007-000300	R-CHIP	10KOHM,5%,1/10W,DA,TP,2012	
R737	2007-000300	R-CHIP	10KOHM,5%,1/10W,DA,TP,2012	
R738	2007-000290	R-CHIP	1000HM,5%,1/10W,DA,TP,2012	
R739	2007-000290	R-CHIP	1000HM,5%,1/10W,DA,TP,2012	

Loc. No.	Code No.	Description	Specification	Remarks
R740	2007-000468	R-CHIP	1KOHM,5%,1/10W,DA,TP,2012	
R741	2007-000468	R-CHIP	1KOHM,5%,1/10W,DA,TP,2012	
R742	2007-000468	R-CHIP	1KOHM,5%,1/10W,DA,TP,2012	
R743	2007-000468	R-CHIP	1KOHM,5%,1/10W,DA,TP,2012	
R744	2007-000468	R-CHIP	1KOHM,5%,1/10W,DA,TP,2012	
R745	2007-000468	R-CHIP	1KOHM,5%,1/10W,DA,TP,2012	
R746	2007-000468	R-CHIP	1KOHM,5%,1/10W,DA,TP,2012	
R747	2007-000468	R-CHIP	1KOHM,5%,1/10W,DA,TP,2012	
R800	2007-000290	R-CHIP	1000HM,5%,1/10W,DA,TP,2012	
R801	2007-000290	R-CHIP	1000HM,5%,1/10W,DA,TP,2012	
R802	2007-000931	R-CHIP	4700HM,5%,1/10W,DA,TP,2012	
R803	2007-000931	R-CHIP	4700HM,5%,1/10W,DA,TP,2012	
R804	2007-000290	R-CHIP	1000HM,5%,1/10W,DA,TP,2012	
R805	2007-000931	R-CHIP	4700HM,5%,1/10W,DA,TP,2012	
R806	2007-000931	R-CHIP	4700HM,5%,1/10W,DA,TP,2012	
R807	2007-000931	R-CHIP	4700HM,5%,1/10W,DA,TP,2012	
R808	2007-000290	R-CHIP	1000HM,5%,1/10W,DA,TP,2012	
R809	2007-000029	R-CHIP	00HM,5%,1/10W,DA,TP,2012	
R811	2007-000290	R-CHIP	1000HM,5%,1/10W,DA,TP,2012	
R812	2007-000290	R-CHIP	1000HM,5%,1/10W,DA,TP,2012	
R813	2007-000290	R-CHIP	1000HM,5%,1/10W,DA,TP,2012	
R814	2007-000290	R-CHIP	1000HM,5%,1/10W,DA,TP,2012	
R815	2007-000931	R-CHIP	4700HM,5%,1/10W,DA,TP,2012	
R816	2007-000290	R-CHIP	1000HM,5%,1/10W,DA,TP,2012	
R817	2007-000931	R-CHIP	4700HM,5%,1/10W,DA,TP,2012	
R818	2007-000290	R-CHIP	1000HM,5%,1/10W,DA,TP,2012	
R820	2007-000290	R-CHIP	1000HM,5%,1/10W,DA,TP,2012	
R821	2007-000290	R-CHIP	1000HM,5%,1/10W,DA,TP,2012	
R822	2007-001118	R-CHIP	6800HM,5%,1/10W,DA,TP,2012	
R824	2007-000029	R-CHIP	00HM,5%,1/10W,DA,TP,2012	
R825	2007-000872	R-CHIP	4.7KOHM,5%,1/10W,DA,TP,2012	
R826	2007-000290	R-CHIP	1000HM,5%,1/10W,DA,TP,2012	
R827	2007-000872	R-CHIP	4.7KOHM,5%,1/10W,DA,TP,2012	
R828	2007-000029	R-CHIP	00HM,5%,1/10W,DA,TP,2012	
R829	2007-000468	R-CHIP	1KOHM,5%,1/10W,DA,TP,2012	
R832	2007-000401	R-CHIP	1500HM,5%,1/10W,DA,TP,2012	
R834	2007-000290	R-CHIP	1000HM,5%,1/10W,DA,TP,2012	
R835	2007-000290	R-CHIP	1000HM,5%,1/10W,DA,TP,2012	
R836	2007-000401	R-CHIP	1500HM,5%,1/10W,DA,TP,2012	
R837	2007-000872	R-CHIP	4.7KOHM,5%,1/10W,DA,TP,2012	
R838	2007-000029	R-CHIP	00HM,5%,1/10W,DA,TP,2012	
R845	2007-000881	R-CHIP	4.7OHM,5%,1/10W,DA,TP,2012	
R846	2007-000881	R-CHIP	4.7OHM,5%,1/10W,DA,TP,2012	
R847	2007-000029	R-CHIP	00HM,5%,1/10W,DA,TP,2012	
R848	2007-000029	R-CHIP	00HM,5%,1/10W,DA,TP,2012	
R849	2007-000029	R-CHIP	00HM,5%,1/10W,DA,TP,2012	
R850	2007-000029	R-CHIP	00HM,5%,1/10W,DA,TP,2012	

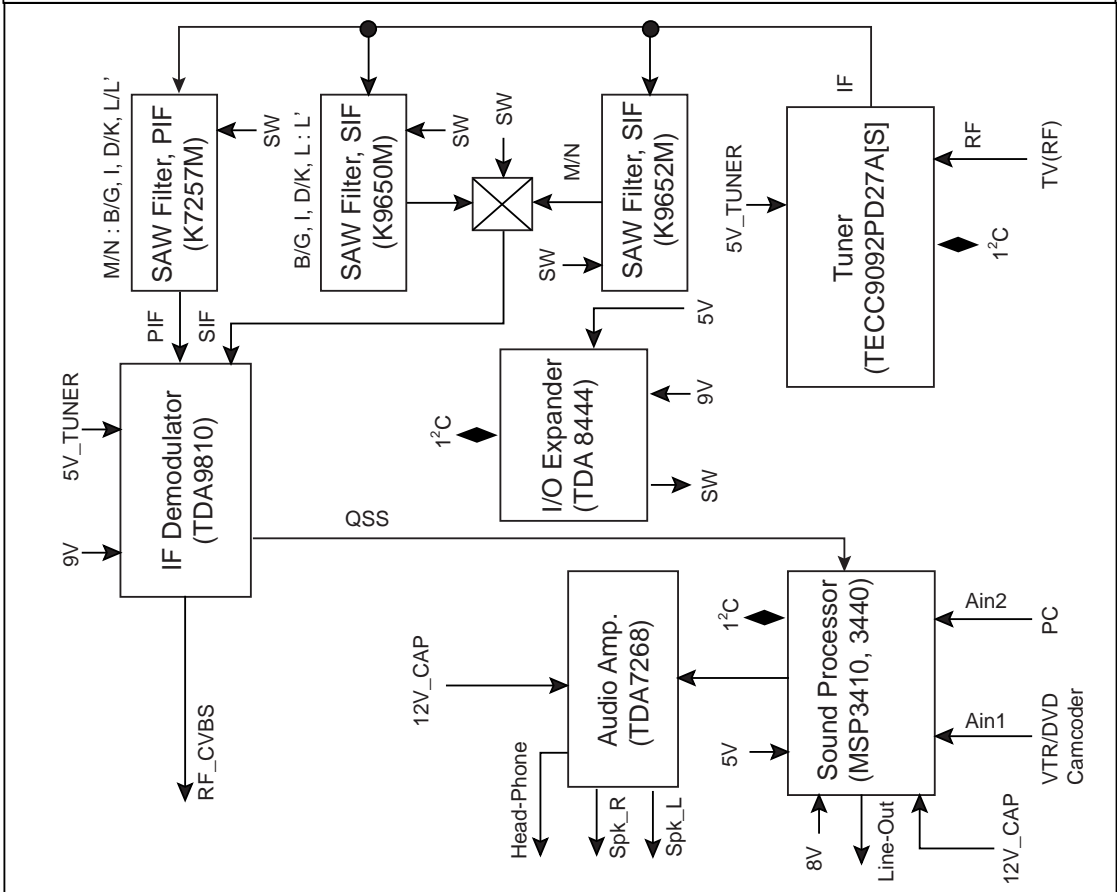
7 Electrical Parts List

Loc. No.	Code No.	Description	Specification	Remarks
R851	2007-000029	R-CHIP	00HM,5%,1/10W,DA,TP,2012	
R852	2003-000514	R-METALOXIDE(S)	15ohm,5%,2W,AA,TP,4x12mm	
R853	2003-000797	R-METALOXIDE(S)	8.2ohm,5%,3W,AA,TP,6x16m	
R854	2007-000029	R-CHIP	00HM,5%,1/10W,DA,TP,2012	
R855	2007-000029	R-CHIP	00HM,5%,1/10W,DA,TP,2012	
R856	2007-001198	R-CHIP	8200HM,1%,1/10W,DA,TP,2012	
T700	BN27-00003A	COIL-ETC	M11,MOLD,	
X800	2801-003843	CRYSTAL-SMD	18.432MHz,30ppm,28-AAN,20pF	

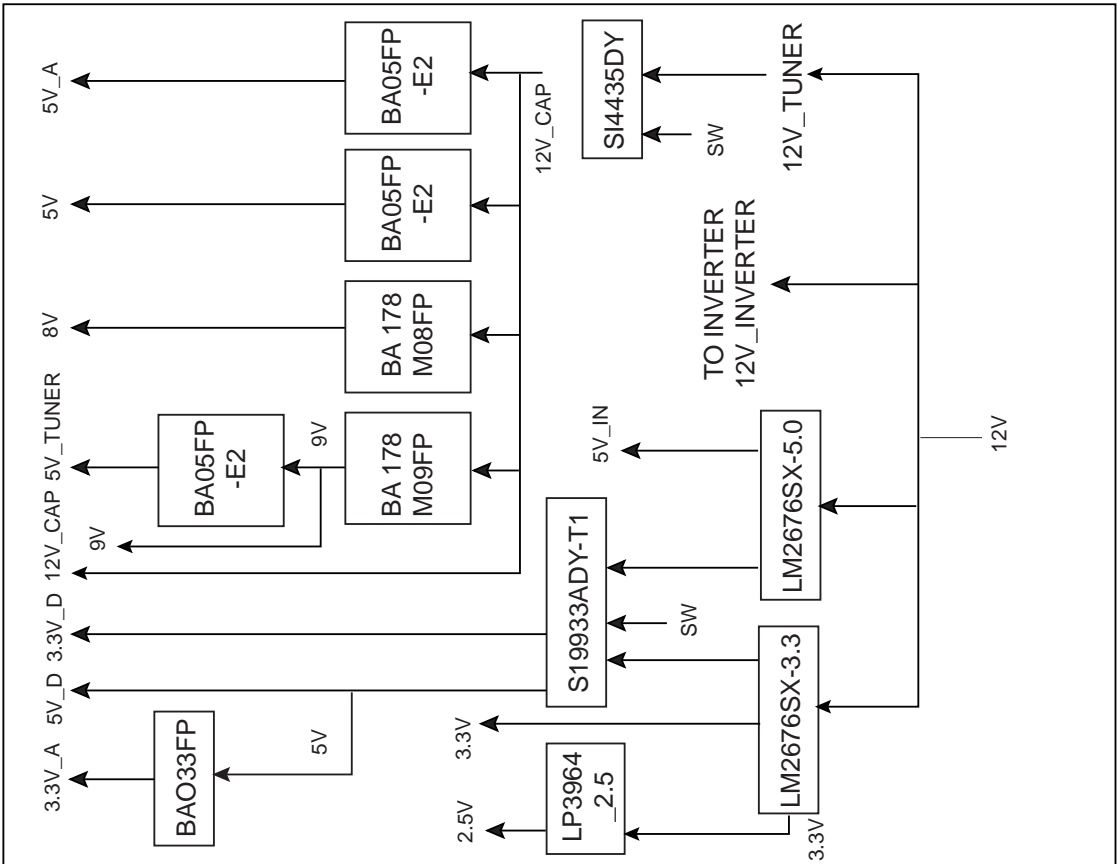
8 Block Diagram



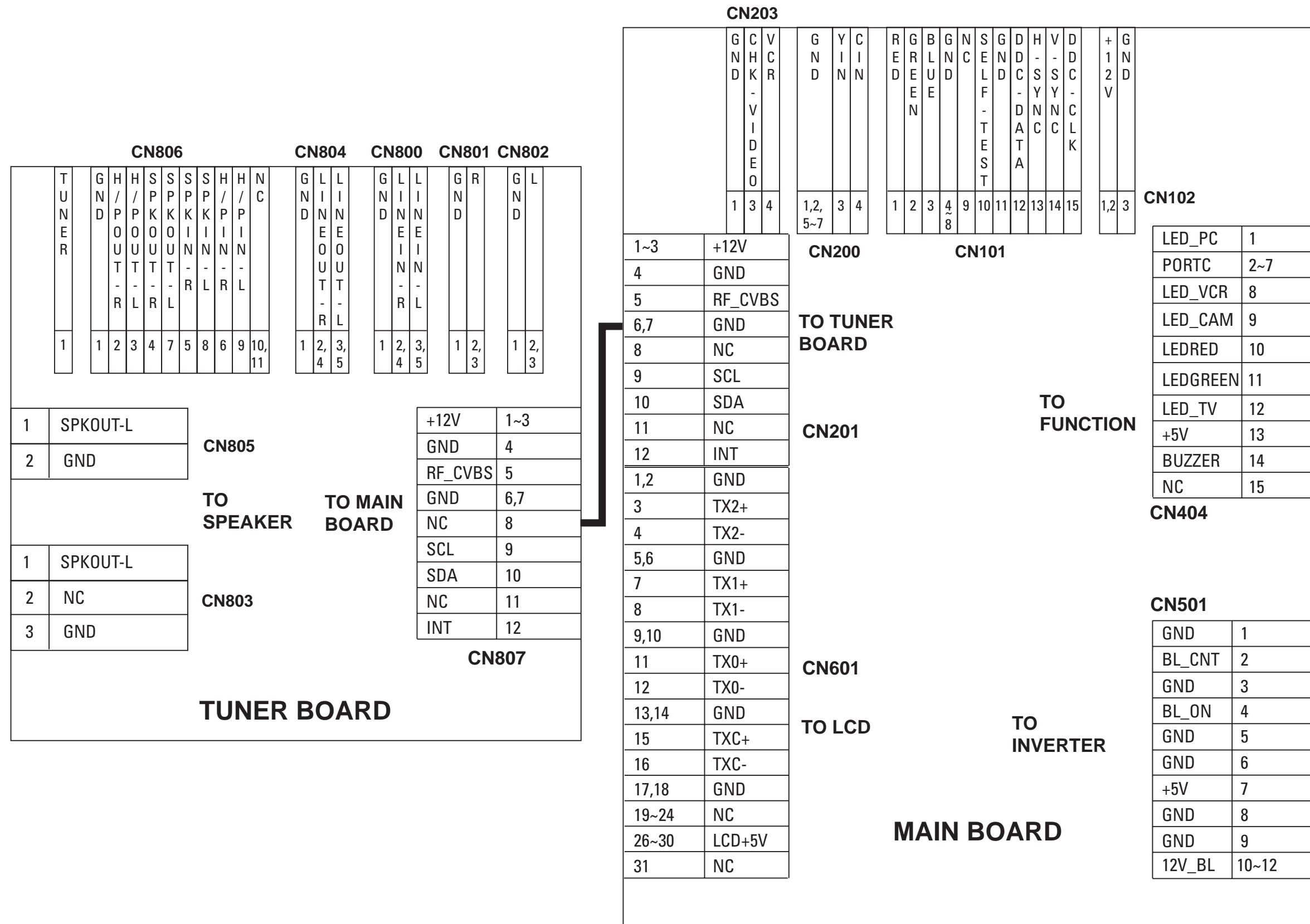
Block-Diagram (TUNER)



Block-Diagram (POWER)

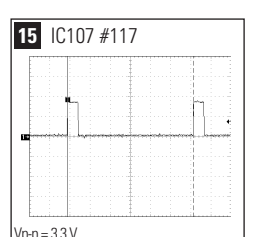
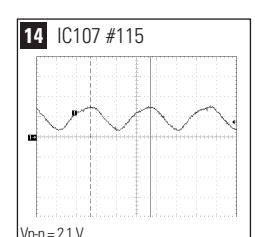
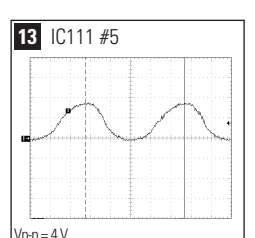
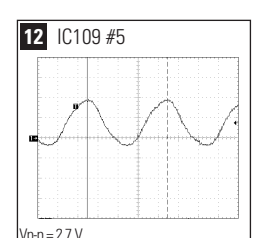
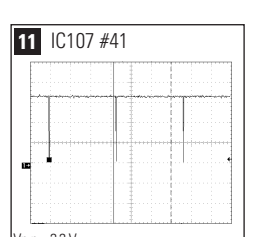
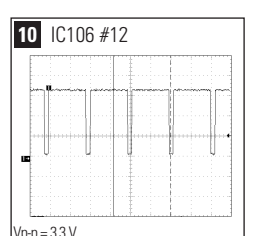
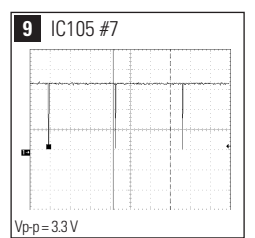
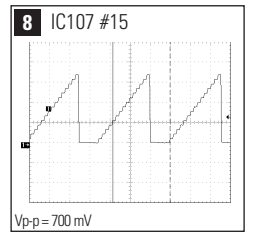
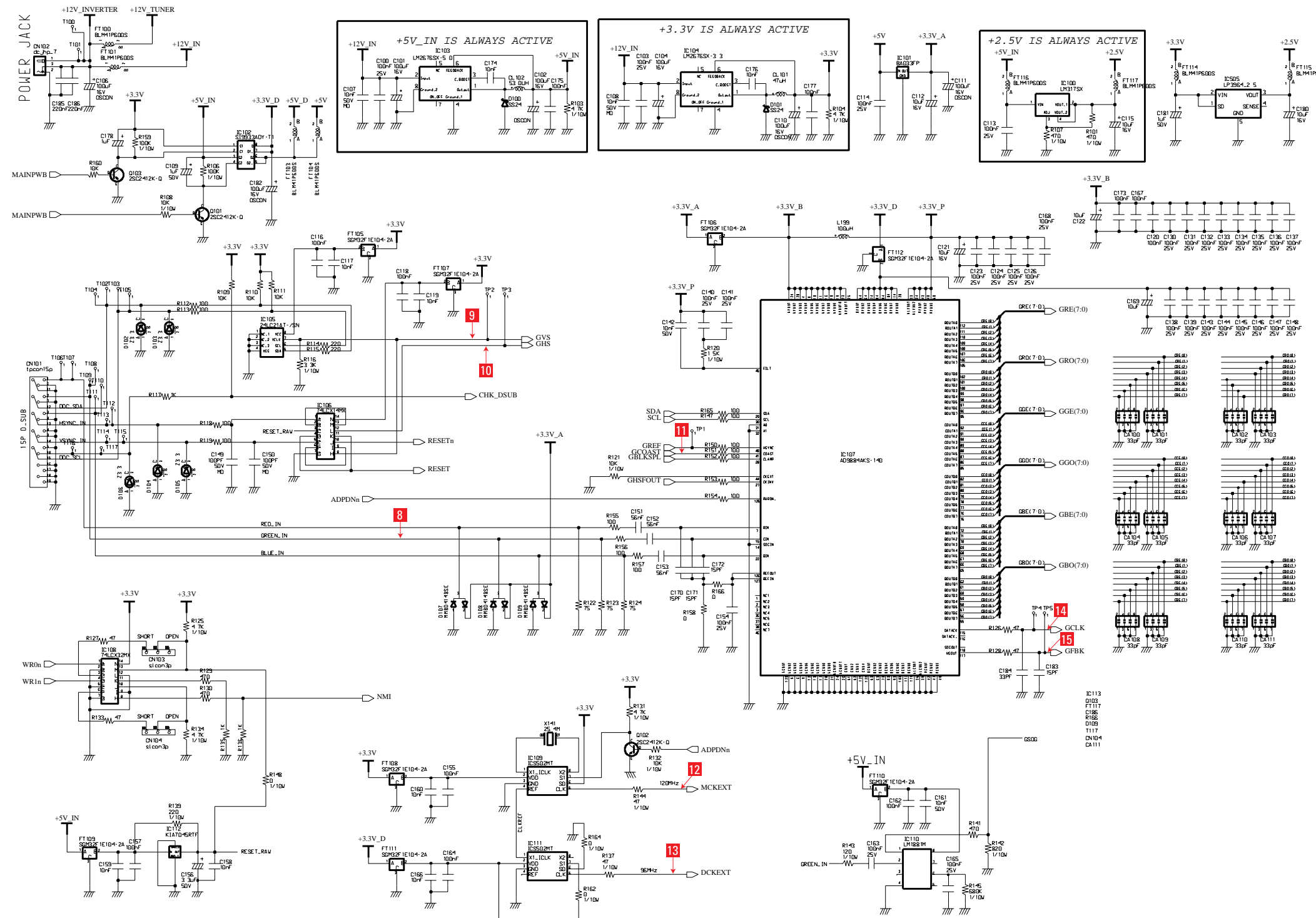


9 Wiring Diagram

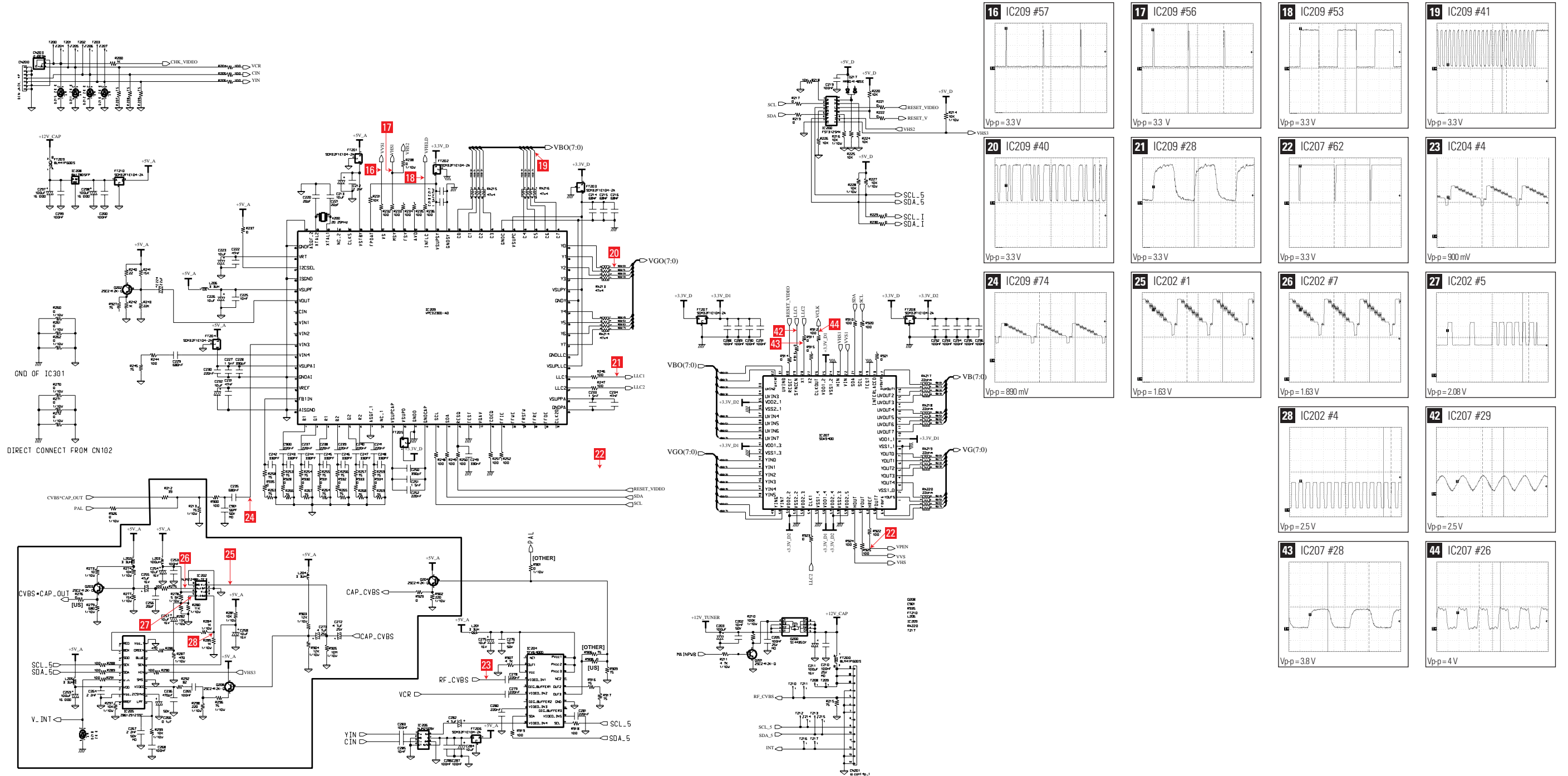


10 Schematic Diagrams

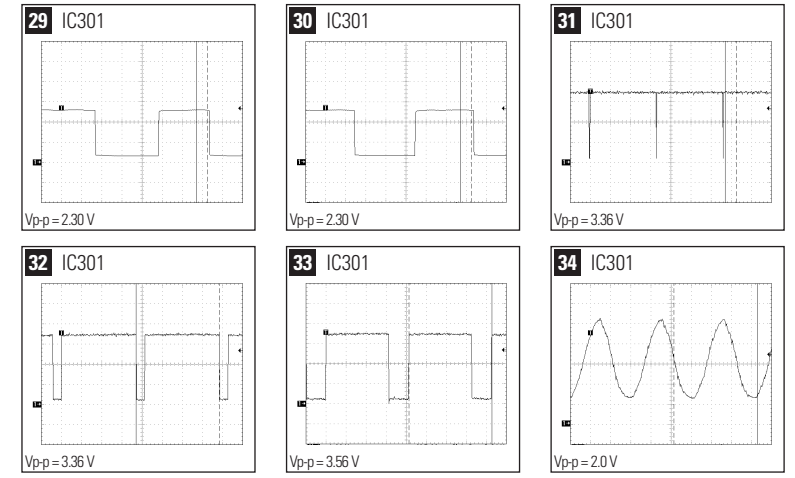
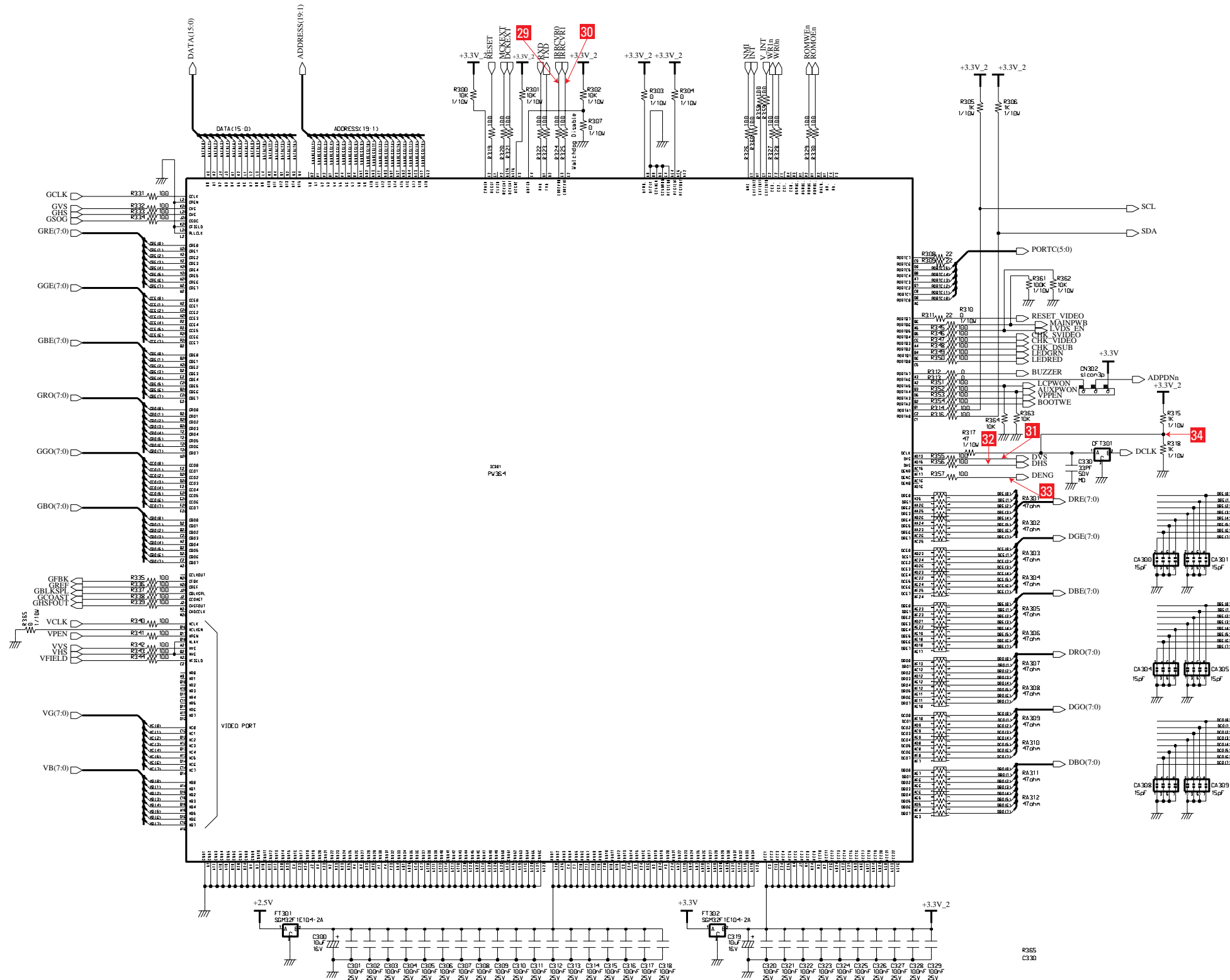
10-1 ADC / PLL Part Schematic Diagram



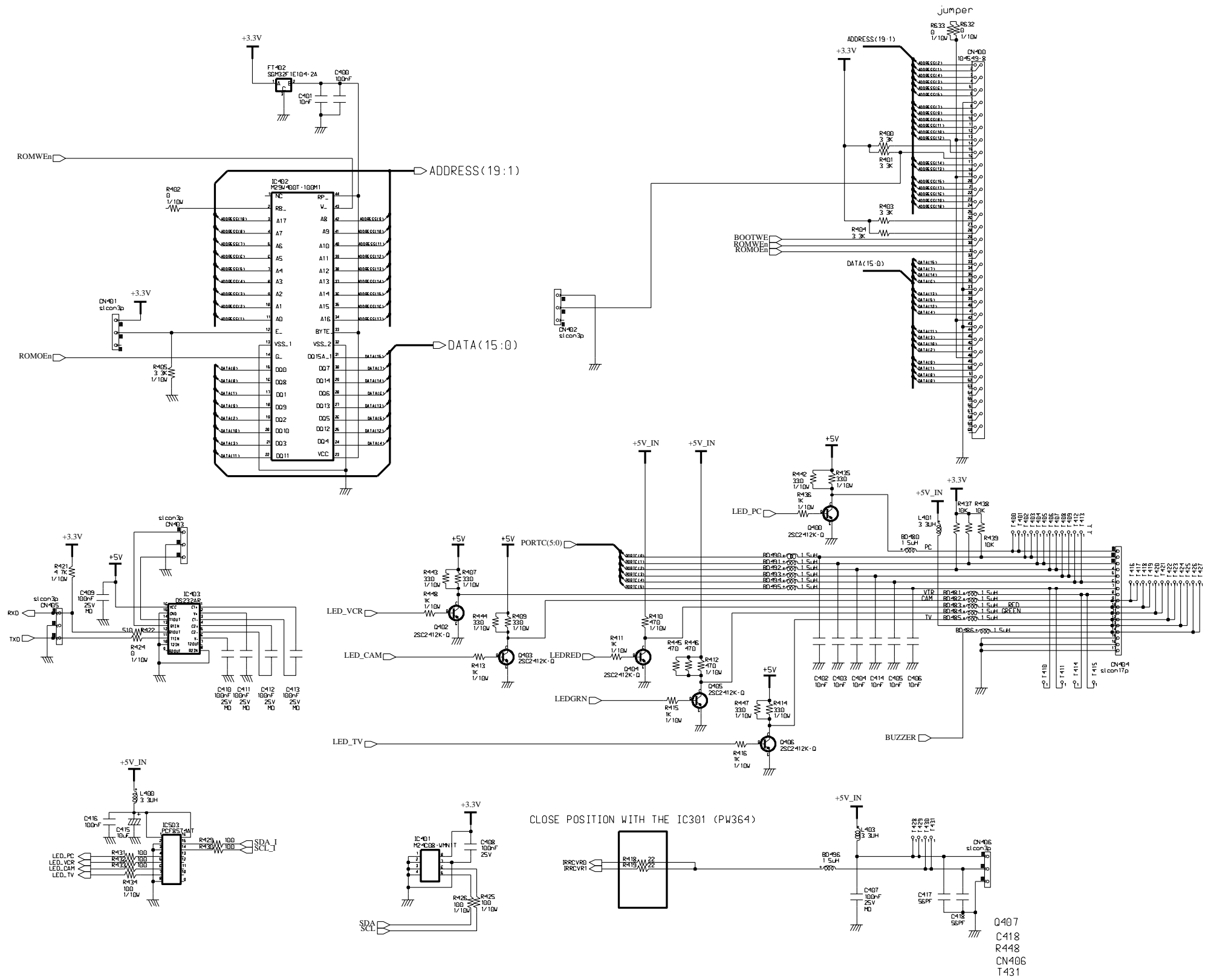
10-2 Video Decoder Part Schematic Diagram



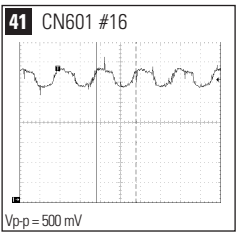
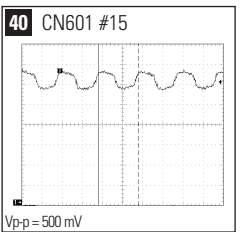
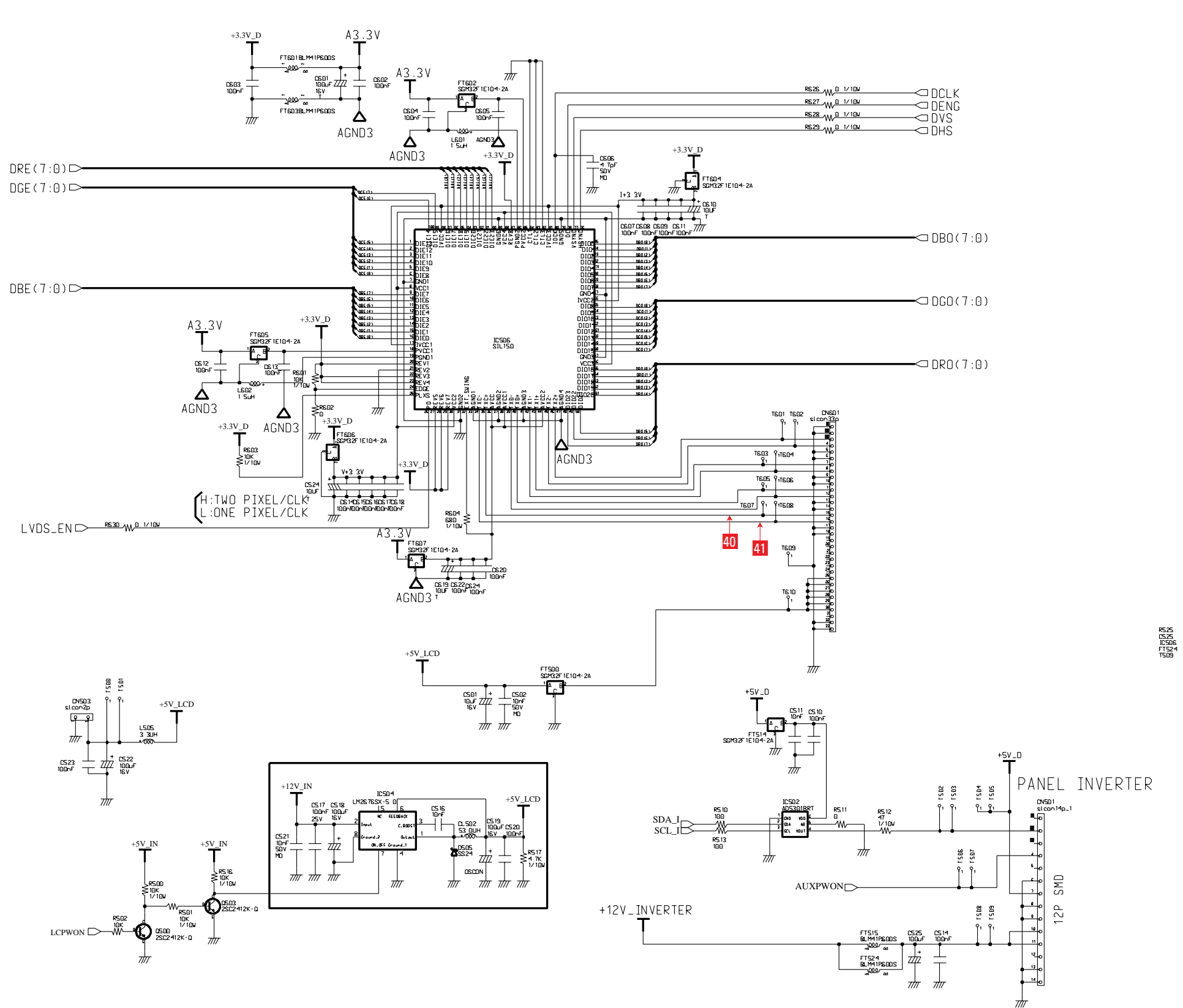
10-3 PW364 Part Schematic Diagram



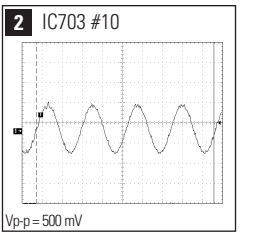
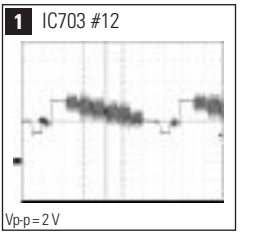
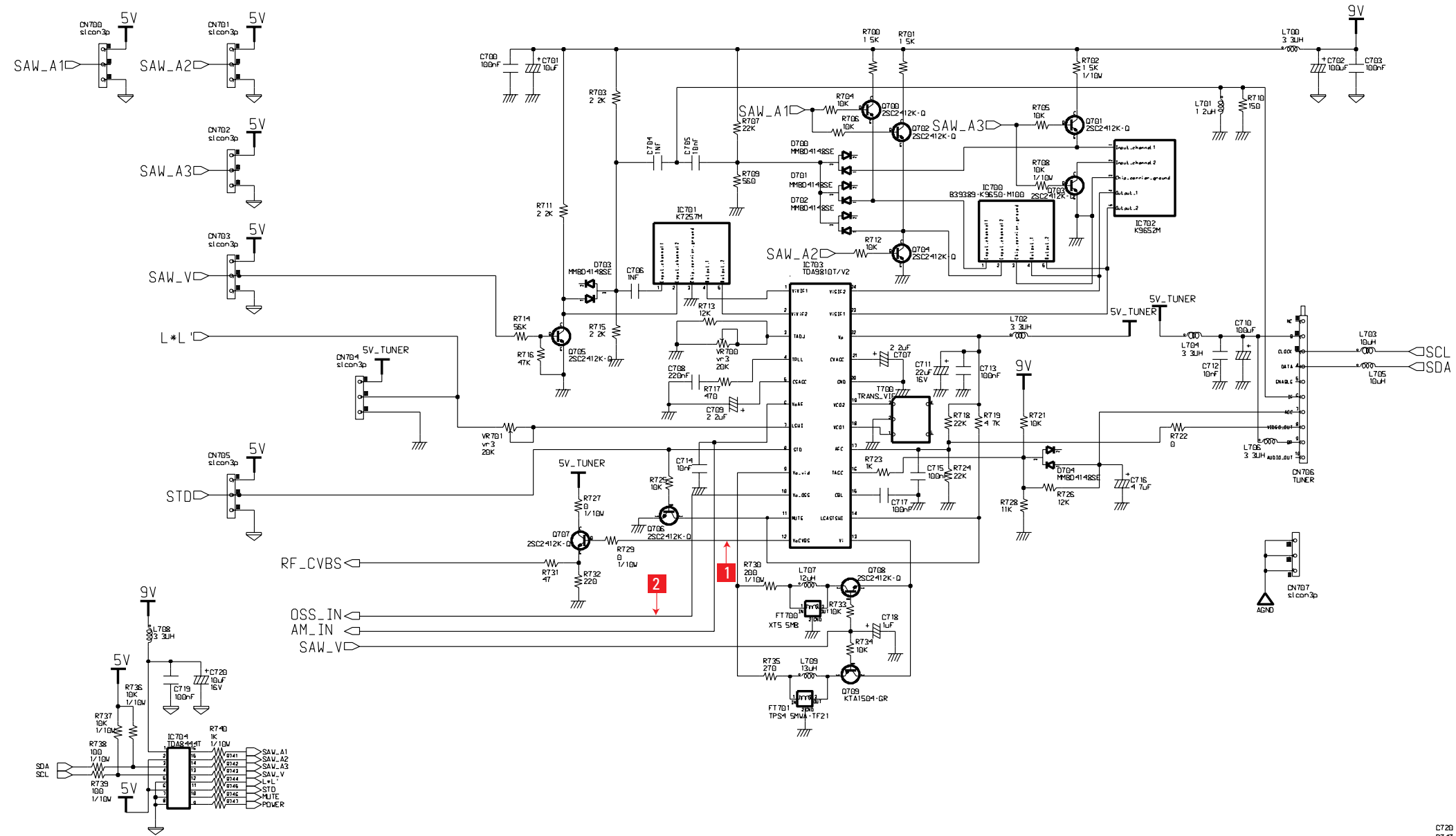
10-4 Memory Part Schematic Diagram



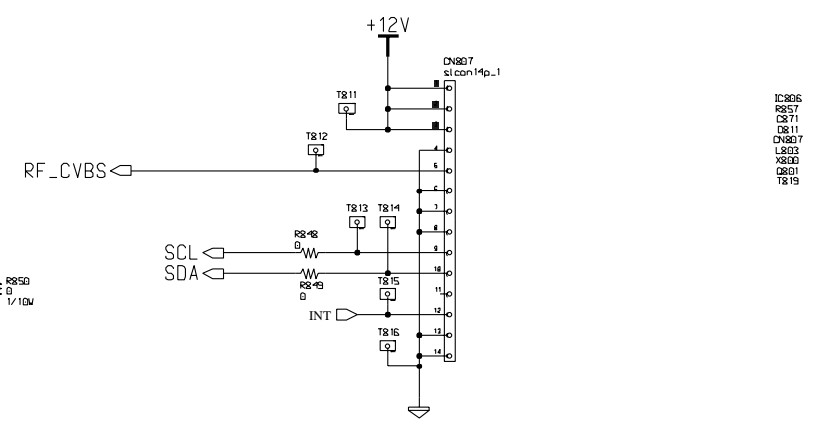
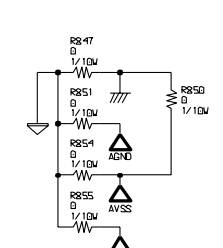
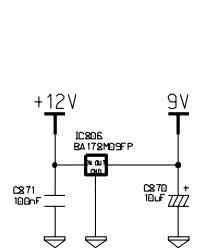
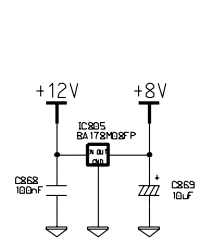
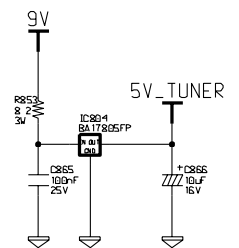
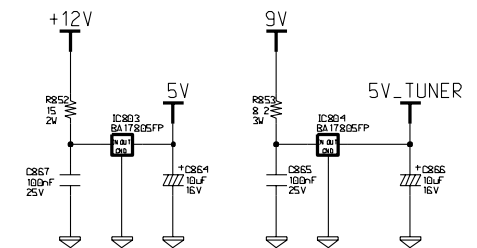
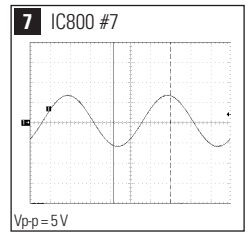
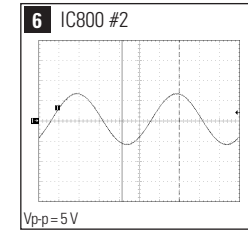
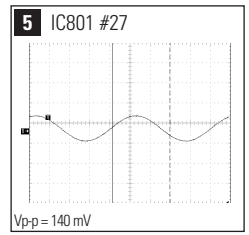
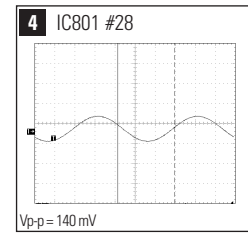
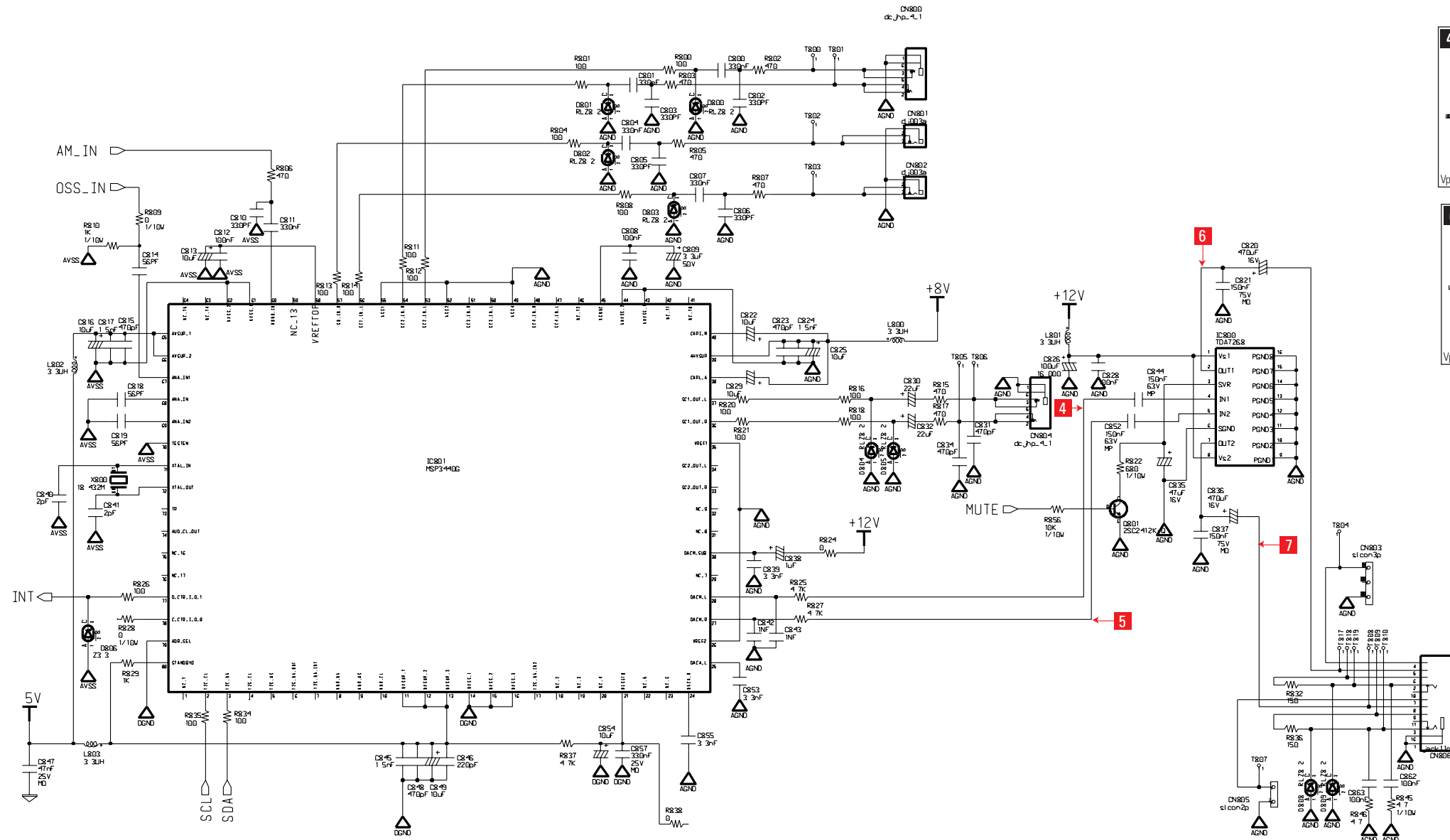
10-5 LVDS Part Schematic Diagram



10-6 IF Part Schematic Diagram



10-7 Audio Part Schematic Diagram



Memo

Copyright

© 1999 by Samsung Electronics Co., Ltd.

All rights reserved.

This manual may not, in whole or in part, be copied, photocopied, reproduced, translated, or converted to any electronic or machine readable form without prior written permission of Samsung Electronics Co., Ltd.

SyncMaster 170MP Service Manual

First edition February 2000.

Printed in Korea.

Trademarks

Samsung is a registered trademark and SyncMaster 170MP are trademarks of Samsung Electronics Co., Ltd.

IBM is a trademark of the IBM Corporation in the United States and other countries.

All other trademarks are the property of their respective owners.